



aerospace  
climate control  
electromechanical  
**filtration**  
fluid & gas handling  
hydraulics  
pneumatics  
process control  
sealing & shielding



## Air Filtration

Products and Custom Solutions



ENGINEERING YOUR SUCCESS.

# Table of Contents

ECO® Series.....	3-12
Ember Separator.....	13
Pamic Series.....	14-17
Dynacell® Series.....	18-20
AFSF Series.....	21
AFCS Series.....	22
AFAP Series.....	23
AFHP Series.....	24
AFUP Series.....	25
EA Series Replacement Filters.....	26
EACP Series.....	27
EAVLR Series.....	28-29
EAF Series.....	30-31
Marine Air Filter/Silencers.....	32
Air Filter Replacements.....	33
Air Filter Cleaning Kit.....	33
Cabin Air Filters.....	34
Air Inlet Fittings and Clamps.....	34
Filter Service Indicator.....	34
TireSaver.....	35



# ECO-SE (Small Engine Applications)

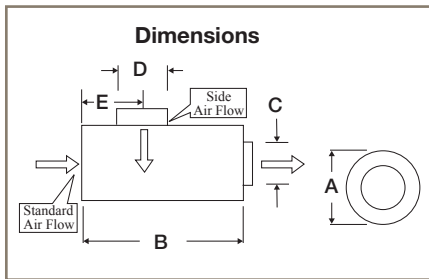
The ECO-SE is designed for small engine applications. It also has two unique features. First, it has a urethane beaded outlet tube which allows the filter to be mounted directly to a metal tube or turbo connection without an additional rubber connection. Second, the standard unit is a straight-through air filter, air goes in one end and out the other. Intake adapters are available if you would like to remotely locate the intake. The side inlet version offers additional mounting flexibility.



Durable urethane beaded outlet eliminates additional rubber connections.

Easy to service, compact, lightweight, and efficient design. For light and medium duty applications (smaller mobile and stationary engines up to 300 hp).

Straight-through design improves pressure differential in smaller engine air intakes with drain holes for water removal.

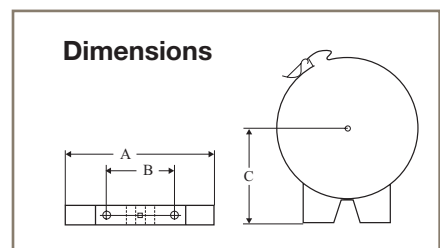


## Specifications

Part No.	Dimensions										Air Flow		Weight	
	(Diameter) A		(Length) B		(Outlet) C		(Inlet) D		E		cfm	m <sup>3</sup> /min	lbs	kg
	in.	cm	in.	cm	in.	cm	in.	cm	in.	cm				
<b>ECO-SE Straight-Through</b>														
114500001	6.8	17.3	14.2	36.1	3.0	7.6	-	-	-	-	240-340	6.8-9.6	5.0	2.3
114500002	7.8	19.8	17.2	43.7	4.0	10.2	-	-	-	-	355-510	10.1-14.4	6.5	2.9
114500003	9.7	24.6	18.9	48.0	5.0	12.7	-	-	-	-	610-890	17.3-25.2	7.9	3.6
117122000	11.0	27.9	24.0	61.0	7.0	17.8	-	-	-	-	780-1180	22.1-33.4	12.9	5.9
<b>ECO-SE Side Inlet</b>														
114880003	9.7	24.6	19.4	49.3	5.5	14.0	6.0	15.2	4.0	10.2	600-900	17.0-25.5	9.0	4.1
114880005	7.8	19.8	17.2	43.7	4.5	11.4	6.0	15.2	5.5	14.0	420-800	11.9-22.7	7.0	3.2
400292000	11.0	27.9	15.3	38.9	7.0	17.8	6.0	15.2	18.0	45.7	840-1050	23.8-29.7	13.0	5.9

## Mounting Clamps (2 Required)

Part No.	Dimensions					
	A		B		C	
	in.	cm	in.	cm	in.	cm
099049001	6.9	17.5	3.5	8.9	5.1	13.0
099049002	7.9	20.1	3.5	8.9	5.6	14.2
099049003	9.8	24.9	4.5	11.2	6.6	16.8



## ECO Series Spin-On Disposable Air Cleaners

With its revolutionary spin-on design, the completely disposable ECO Series offers faster, safer, more trouble-free service than any other air cleaner today. Built for rugged use, it combines maximum engine protection with fuel-efficient performance and long service life.

The ECO Series provides two significant improvements in engine protection. When the filter loads with dirt and replacement is required, collected dust and debris stay safely contained inside the disposable housing, eliminating the chance of contaminating the air intake system during air filter service. Since the ECO Series uses no clean air gaskets, you never have to worry about gasket leak age. The outlet simply hooks up to the intake with a rubber connection and clamp, creating a leak-tight seal.

# ECO II



Paper pleats are permanently locked in place for reliable performance.

Requires no additional room to service filter.

Air flow distribution and dust loading are uniform throughout the high-performance filter cone pack, resulting in increased capacity and lower pressure differential for improved horsepower and fuel economy.

Beaded outlet.

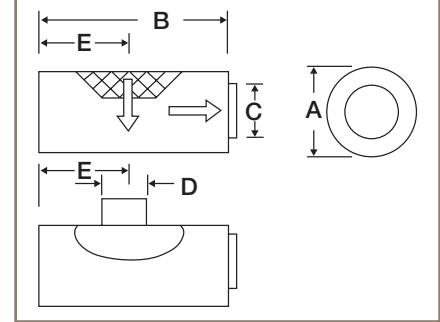
The first cone-type filter that is both tapered and offset.

Water-resistant media provides three-to five-times longer filter life than conventional designs.

More usable media area than conventional filters.

Media is SAE-rated to provide average efficiency of 99.9% (SAE J726C), with no seals or gaskets to replace.

### Dimensions



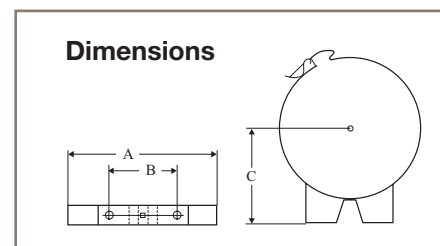
## Specifications

Part No.	Dimensions										Air Flow		Weight	
	(Diameter) A		(Length) B		(Outlet) C		(inlet)* D		E		cfm*	m <sup>3</sup> /min*	lbs*	kg*
	in.	cm	in.	cm	in.	cm	in.	cm	in.	cm				
071338001	10.0	25.4	24.0	61.0	6.0	15.2	6.0	15.2	9.0	22.9	820-1220	23.2-34.5	15.5	7.1
071338002	11.0	27.9	24.0	61.0	7.0	17.8	7.0	17.8	9.0	22.9	1200-1700	34.0-48.1	19.2	8.8
071338003	13.5	34.3	24.0	61.0	7.0	17.8	7.0	17.8	9.0	22.9	1370-1950	38.8-55.2	22.0	10.0
071338004	13.5	34.3	18.0	45.7	7.0	17.8	7.0	17.8	9.0	22.9	1350-1800	38.2-51.0	19.9	9.1
071338005	13.5	34.3	15.0	38.1	7.0	17.8	7.0	17.8	7.5	19.1	1350-1800	38.2-51.0	17.0	7.7
071338007	11.0	27.9	24.0	61.0	7.0	17.8	7.0	17.8	11.5	29.2	1200-1700	34.0-48.1	17.5	7.9
071338008	9.75	24.8	18.0	45.7	6.0	15.2	6.0	15.2	9.0	22.9	920-1190	26.1-33.7	12.1	5.5
071338009	13.5	34.3	24.0	61.0	7.0	17.8	7.0	17.8	9.0	22.9	1210-1910	34.3-54.1	9.0	5.5

\*With inlet transition mount installed.

## Mounting Clamps (2 Required)

Part No.	Dimensions					
	A		B		C	
	in.	cm	in.	cm	in.	cm
071921001	9.8	24.9	4.5	11.2	5.5	14.0
071921002	11.0	27.9	5.0	12.7	6.1	15.5
071921003	13.5	34.3	6.0	15.2	7.4	18.0

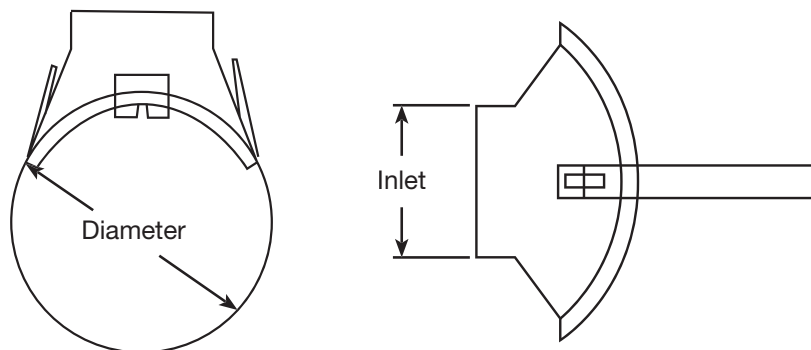


# ECO II Inlet Transition Mounting Adapter

Inlet Transition  
Installed on ECO-II



Dimensions



## ECO II Inlet Transition

The ECO II was designed to provide lower replacement filter cost on an under hood truck application due to the 2-piece design. The Inlet Transition adapter is a separate piece that stays on the truck and is purchased separately.

The ECO II used without the Inlet Transition has become the standard in the Generator Set market. Air Flow is outside-in with water drain holes around the perimeter.



## ECO II Inlet Transition With Water Separator

- No Service
- Up to 80% water separation
- Must be installed horizontally
- Drain tube installed

Specifications	Diameter		Inlet	
	in.	cm	in.	cm
073367000	9.8	24.9	6.0	15.2
071656001	11.0	27.9	6.0	15.2
071656002	11.0	27.9	7.0	17.8
072994000	13.5	34.3	7.0	17.8
072995002 <sup>1</sup>	13.5	34.3	7.0	17.8
073086002 <sup>1</sup>	13.5	34.3	7.0	17.8

<sup>1</sup> Transition mount includes a water separator, for horizontal installations.

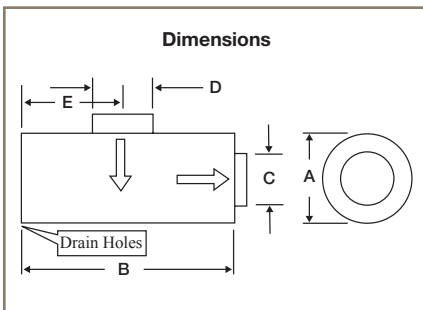


# ECO-SM (Scheduled Maintenance)

- Choice of three inlet locations to match new or retrofit applications.
- The ECO-SM can be mounted in any orientation or angle.
- Economical scheduled maintenance design.
- Beaded outlet.
- Fast and easy to service with no housing to clean or gaskets to service.
- Easy upgrade for existing air cleaners with separate filters.
- Drain holes for water removal.

The ECO-SM was designed to give additional mounting flexibility to the OEM customer, while offering a greater value to the fleet that changes filters based on a scheduled maintenance program. Due to the various inlet tube locations, the ECO-SM is ideal for retrofit applications.

It is for outside-in air flow only and has drain holes around the perimeter.

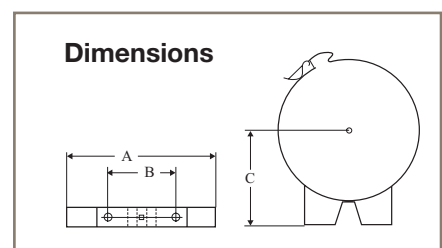


## Specifications

Part No.	Dimensions										Air Flow (CFM)		Weight	
	(Diameter) A		(Length) B		(Outlet) C		(Inlet) D		E		cfm	m <sup>3</sup> /min	lbs	kg
	in.	cm	in.	cm	in.	cm	in.	cm	in.	cm				
099842002	11.0	27.9	24.0	61.0	7.0	17.8	7.0	17.8	12.0	30.5	980-1430	27.8-40.5	19.0	8.6
099842004									5.5	14.0	1100-1670	31.1-47.3	27.0	12.2
099842005	13.5	34.3	24.0	61.0	7.0	17.8	7.0	17.8	12.0	30.5	1130-1500	32.0-42.5	27.0	12.2
099842006									18.5	47.0	1030-1500	29.2-42.5	27.0	12.2
099842007	13.5	34.3	18.0	45.7	7.0	17.8	7.0	17.8	5.5	14.0	1120-1630	31.7-46.2	24.0	10.9
099842008									12.5	31.8	1060-1550	30.0-43.9	24.0	10.9
099842009	13.5	34.3	15.0	38.1	7.0	17.8	7.0	17.8	5.5	14.0	1070-1550	30.3-43.9	22.5	10.2
099842010									9.5	24.1	1060-1530	30.0-43.3	22.5	10.2

## Mounting Clamps (2 Required)

Part No.	Dimensions					
	A		B		C	
	in.	cm	in.	cm	in.	cm
071921002	11.0	27.9	5.0	12.7	6.1	15.5
071921003	13.5	34.3	6.0	15.2	7.4	18.0

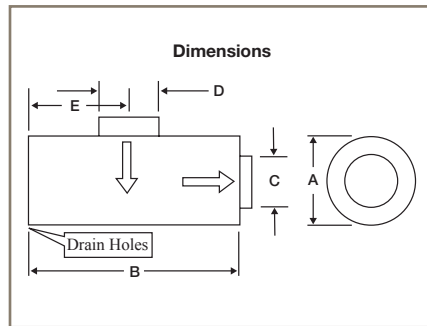


# ECO-LL (Long Life)

The ECO-LL is similar to the ECO-SM, but is for applications where the customer wants to get the longest life from his air filter. There are also more sizes available.

There are also more sizes available. It is also for outside-on air flow only and has drain holes around the perimeter.

- Beaded outlet.
- Long life and disposable.
- Use when extended maintenance intervals, or severe service.
- More media surface area than scheduled maintenance style.
- Choice of inlet locations.
- Drain holes for water removal.

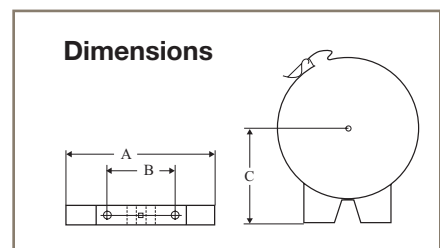


## Specifications

Part No.	Dimensions										Air Flow		Weight	
	(Diameter) A		(Length) B		(Outlet) C		(Inlet) D		E		cfm	m <sup>3</sup> /min	lbs	kg
	in.	cm	in.	cm	in.	cm	in.	cm	in.	cm				
400820001									5.5	14.0	985-1475	27.9-41.8	19.0	8.6
400820002	11.0	27.9	24.0	61.0	7.0	17.8	7.0	17.8	12.0	30.5	905-1340	25.6-37.9	19.0	8.6
400820003									18.5	47.0	645-950	18.3-26.9	19.0	8.6
400820004									5.5	14.0	1295-1910	36.7-54.1	21.5	9.8
400820005	13.5	34.3	24.0	61.0	7.0	17.8	7.0	17.8	12.0	30.5	1170-1735	33.1-49.1	21.5	9.8
400820006									18.5	47.0	845-1250	23.9-35.4	21.5	9.8
400820007									5.5	14.0	1115-1590	31.6-54.0	17.0	7.7
400820008	13.5	34.3	18.0	45.7	7.0	17.8	7.0	17.8	12.5	31.8	1100-1545	31.1-43.7	17.0	7.7
400820009									5.5	14.0	1055-1560	29.9-44.2	15.1	6.8
400820010	13.5	34.3	15.0	38.1	7.0	17.8	7.0	17.8	9.5	24.1	1135-1690	32.1-47.9	15.1	6.8
400820012	9.8	24.9	24.0	61.0	6.0	15.2	6.0	15.2	12.0	30.5	820-1215	23.2-34.4	13.1	5.9
400820014									5.5	14.0	970-1455	27.5-41.2	13.5	6.1
400820015	11.0	27.9	18.0	45.7	7.0	17.8	7.0	17.8	12.5	31.8	715-1075	20.2-30.4	13.5	6.1
400820019	11.0	27.9	13.0	33.0	7.0	17.8	7.0	17.8	7.5	19.1	710-1100	20.1-31.1	10.2	4.6
400820020									7.5	19.1	820-1230	23.2-34.8	11.5	5.2
400820021	11.0	27.9	15.0	38.1	7.0	17.8	7.0	17.8	7.5	19.1	740-1100	21.0-31.1	11.5	5.2
400820022	11.0	27.9	18.0	45.7	6.0	15.2	7.0	17.8	12.5	31.8	650-960	18.4-27.2	12.8	5.8
400820023	11.0	27.9	13.0	33.0	6.0	15.2	7.0	17.8	7.5	19.1	720-1060	20.4-30.0	10.2	4.6

## Mounting Clamps (2 Required)

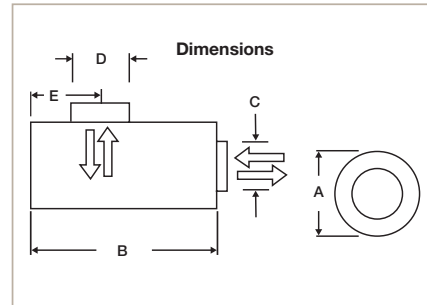
Part No.	Dimensions					
	A		B		C	
	in.	cm	in.	cm	in.	cm
071921001	9.8	24.9	4.5	11.4	5.5	14.0
071921002	11.0	27.9	5.0	12.7	6.1	15.5
071921003	13.5	34.3	6.0	15.2	7.4	18.8
071921006	15.0	38.1	6.0	15.2	8.2	20.8





# ECOLITE

- Beaded inlet/outlet.
- Tapered offset cone design assures uniform air distribution, minimizes air restriction and maximizes filter service life.
- The only air filter available with choice of flow directions in a single part number.
- Positive barrier, pleated paper media is set in a superior quality adhesive for a permanent seal.
- Airflow may enter or exit end opening.



The original ECO Series product, the ECOLITE is still the only air filter in the industry that you can flow air in either direction. This allows a variety of installation options with the same part number replacement filter.

The ECOLITE can be mounted in any orientation or convenient location; under the hood or outside, direct or remote.

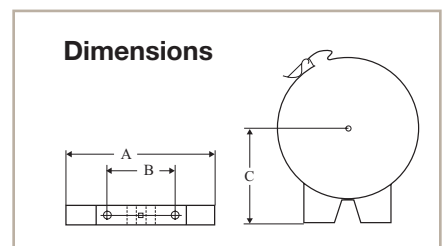


## Specifications

Part No.	Dimensions										Air Flow		Weight	
	(Diameter) A		(Length) B		(Outlet) C		(Inlet) D		E		cfm	m <sup>3</sup> /min	lbs	kg
	in.	cm	in.	cm	in.	cm	in.	cm	in.	cm				
062891001	9.8	24.9	24.0	61.0	6.0	15.2	6.0	15.2	5.5	14.0	820-1200	23.2-34.0	16.0	7.3
062891002	11.0	27.9	24.0	61.0	7.0	17.8	7.0	17.8	5.5	14.0	1100-1650	31.1-46.7	19.0	8.6
062891003	13.5	34.3	24.0	61.0	7.0	17.8	7.0	17.8	5.5	14.0	1375-1900	38.9-53.8	27.0	12.2
062891004	13.5	34.3	18.0	45.7	7.0	17.8	7.0	17.8	5.5	14.0	1070-1590	30.3-45.0	16.3	7.4
062891007	9.8	24.9	24.0	61.0	6.0	15.2	6.0	15.2	12.0	30.5	820-1200	23.2-34.0	16.0	7.3
062891010	13.5	34.3	15.0	38.1	7.0	17.8	7.0	17.8	5.5	14.0	1025-1540	29.0-43.6	15.3	6.9
124923000	11.0	27.9	24.0	61.0	7.0	17.8	7.0	17.8	18.5	47.0	860-940	24.4-26.6	19.0	8.6

## Mounting Clamps (2 Required)

Part No.	Dimensions					
	A		B		C	
	in.	cm	in.	cm	in.	cm
071921001	9.8	24.9	4.5	11.4	5.5	14.0
071921002	11.0	27.9	5.0	12.7	6.1	15.5
071921003	13.5	34.3	6.0	15.2	7.4	18.8





# ECO-BC (Behind the Cab)

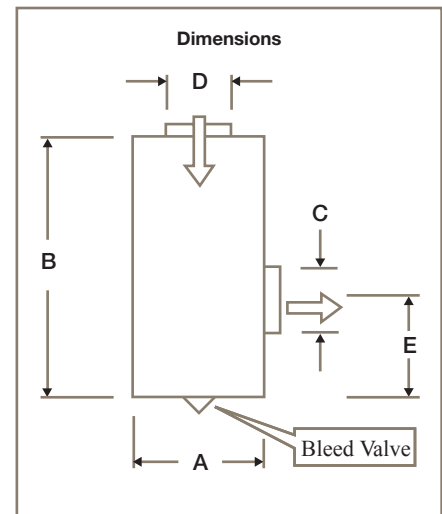
Designed for behind the truck cab installations, the ECO-BC must be mounted vertically with an inside-out air flow. The ECO-BC air filter can be used for under the hood applications also, and the rubber drain valve in the bottom base allows for water and dirt to easily drain out.

This disposable air cleaner features a slimline vertical design for tight or limited space installations.



Beaded inlet  
inside-out air flow  
for vertical applications only

Rugged Construction

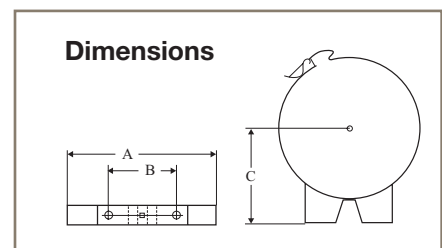


## Specifications

Part No.	Dimensions										Air Flow		Weight	
	(Diameter) A		(Length) B		(Outlet) O.D. C		(Inlet) D		E		cfm	m <sup>3</sup> /min	lbs	kg
	in.	cm	in.	cm	in.	cm	in.	cm	in.	cm				
094973001	11.0	27.9	24.0	61.0	7.0	17.8	7.0	17.8	5.5	14.0	1120-1600	31.7-45.3	19.0	8.6
094973002	13.5	34.3	24.0	61.0	7.0	17.8	7.0	17.8	5.5	14.0	1450-1750	41.1-49.6	27.0	12.2
094973003	9.8	24.9	24.0	61.0	6.0	15.2	6.0	15.2	5.5	14.0	875-1250	24.8-35.4	16.0	7.3
094973004	9.8	24.9	18.0	45.7	6.0	15.2	6.0	15.2	9.0	22.9	720-1060	20.4-30.0	10.4	4.7
094973005	13.5	34.3	15.0	38.1	7.0	17.8	7.0	17.8	9.5	24.1	980-1470	27.8-41.6	15.3	6.9
094973006	11.0	27.9	18.0	45.7	7.0	17.8	6.0	15.2	5.5	14.0	810-1200	22.9-34.0	12.6	5.7
094973007	11.0	27.9	18.0	45.7	7.0	17.8	7.0	17.8	5.5	14.0	1010-1490	28.6-42.2	12.5	5.7

## Mounting Clamps (2 Required)

Part No.	Dimensions					
	A		B		C	
	in.	cm	in.	cm	in.	cm
071921001	9.8	24.9	4.5	11.4	5.5	14.0
071921002	11.0	27.9	5.0	12.7	6.1	15.5
071921003	13.5	34.3	6.0	15.2	7.4	18.8



# ECO-CM (Cowl Mount)

For Cowl-Mount Installation on Conventional Style Truck Cabs.

Air inlet/rain cap is standard

Replaceable filter includes inlet nozzle and water drain valve

U.S. flag logo embossed -  
Made in USA



Polished stainless steel cover

No bolts or filter gaskets needed to seal housing

Fits most existing mounting hole configurations

Right and left-hand versions



1. Just unclip.

2. Slide in new filter.

3. Installation complete.

Easy Installation

Specifications

Part No.	Description	Filter Diameter		Replacement Filter
		in.	cm	
400460001	CM-102 KW Racor Logo RH*	13.5	34.3	78897001
400460002	CM-102 KW Racor Logo LH*	13.5	34.3	78897001
400462001	CM-104 PB Racor Logo RH	13.5	34.3	78897001
400462002	CM-104 PB Racor Logo LH	13.5	34.3	78897001
400458001	CM-101 PRE 1987 PB Racor Logo RH	13.5	34.3	78897001
400458002	CM-101 PRE 1987 PB Racor Logo LH	13.5	34.3	78897001

\* For pre-1981 Kenworth use P/N 093759000 Adapter Bracket for each side.

## Cowl Mount Replacement Parts

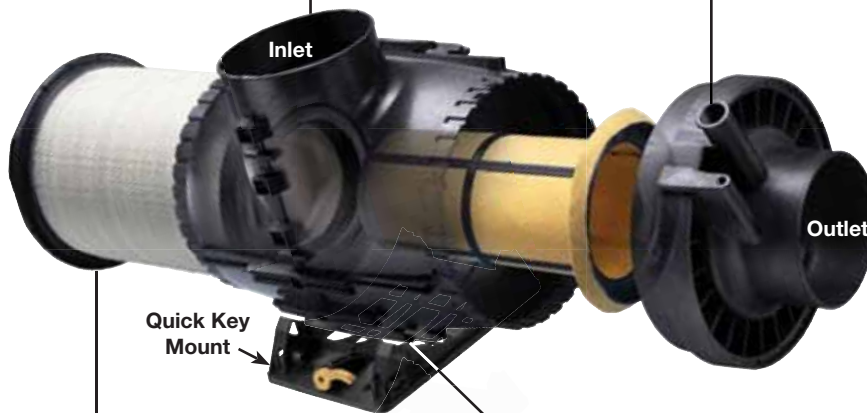
Part No.	Description	Filter Diameter	
		in.	cm
400461001	CM-102 KW Racor Logo RH Stainless Cover	13.5	34.3
400461002	CM-102 KW Racor Logo LH Stainless Cover	13.5	34.3
400463001	CM-104 & CM-101 PB Racor Logo RH Stainless Cover	13.5	34.3
400463002	CM-104 & CM-101 PB Racor Logo LH Stainless Cover	13.5	34.3
400431000	Air Intake/Rain Cap	13.5	34.3
078950000	Clamping Channel Replacement Kit	13.5/15.0	34.3/38.1
500157001	CM-106 PB Racor Logo RH Stainless Cover	15.0	38.1
500157002	CM-106 PB Racor Logo LH Stainless Cover	15.0	38.1
500158001	CM-107 KW Racor Logo RH Stainless Cover	15.0	38.1
500158002	CM-107 KW Racor Logo LH Stainless Cover	15.0	38.1
400135000	Air Intake/Rain Cap	15.0	38.1

# ECO III

## Parker Racor Engineering Has Raised The Bar on Air Filtration Media Technology

The ECO III housing is the tangential orientation of the 7" inlet, which directs air flow evenly around the filter, thus expanding filter life and saving you money.

A CCV port enables a closed crankcase ventilation system exhaust line to easily be connected, creating an environmentally sound system.



Two molded handles on an extended edge lip, lets your hands grasp firmly to easily remove the filter. Metal clasps provide an air-tight seal without using tools.

The housing can be rotated 180° and securely locked into place. The 6" outlet port is field reversible, and orientation of the 7" inlet port is adjustable within 20° increments.

- **Proprietary treated moisture-bloc media is water resistant. When moisture-bloc is combined with Racor water-separating intake scoops, you have an exceptional, fast-draining air filtration system.**
- **This new ECO III filter is computer design optimized to provide maximum efficiency at lowest possible long term cost per mile.**
- **In severe duty, or when an extra measure of protection is desired, Racor provides a secondary, or safety filter. Its inverted cone design adds surface area helping to reduce pressure drop significantly without affecting flow. In**

**addition to adding insurance in the unlikely event of a primary filter failure, the safety filter remains in place during primary filter service, further reducing the opportunity for contaminants to reach the turbocharger and engine components.**

- **With a full 2" pleat depth, total capacity is approximately 100 square feet of media providing a flow range of up to 900 CFM.**
- **Proven Racor pleat separation technology system supports the pleats in and outside for overall strength and durability. There are no metal components that can cause wear damage.**

### Easiest Air Filter to Service, Ever

- **Easiest to Specify**
- **Easiest to Install**

With ECO III, Racor engineers have not only revolutionized the performance of air filtration, but also how the unit is installed and serviced.

It's a mounting system invented for flexibility and convenience. The reversible base mounting bracket and included hardware mounts quickly, in any direction to frame rail or firewall. This complete mounting system eliminates the need for custom made, field-engineered and installed brackets a significant savings of time and money.



- **There is no metal in either the primary or safety (secondary) filters – they are completely incinerable.**
- **ECO III media is sealed with adhesive urethane to the end cap which eliminates the chance of contaminants leaking during operation or service.**
- **Systems where the contaminated airflow enters the unit at a right angle can experience dust loading on the filter intake. Because the ECO III housing disperses contaminated airflow around the filter, dust loading is uniform across the entire area of the filter resulting in a longer change-out interval.**

**ECO III is a Quantum Leap in Air Filtration System Design**

ECO III is the result of a focused, collaborative effort between Racor engineering and our customers. On-highway, real-world testing and laboratory certification has resulted in the advanced ECO III product line. State-of-the-art materials and design features result in installation flexibility, superior performance, ease of service, and unmatched customer satisfaction.

**Smaller and Better**

ECO III is designed for 250-400 horsepower engines for over-the-road vehicles, including buses and specialty applications. Because ECO III delivers high efficiency in a small overall package design, the air filtration system can be located closer to turbochargers for increased performance. Furthermore, the smaller unit size frees valuable space in the engine compartment.

# ECO III

## 4 Levels of Protection Means ECO III is Sealed for Maximum Engine Protection

Introduction to contamination during operation and at service time is a significant maintenance issue. The ECO-III assures a clean service and safely keeps the dirt out.

- 1. A sealing surface allows removal of safety filter which wipes and captures dirt on the surface as it is removed.
- 3. A continuous ring seal (only if safety filter is employed) is provided at the interface between the primary and safety filter.



- 2. An external radial seal rings the outlet of the filter housing to prevent contamination from escaping into the engine.
- 4. Interior seal adds a second level of protection.



Specification	ECO III LH	ECO III	ECO III XL13	ECO III XL15
Mounting Clamps	N/A	N/A	071921010 (2 required)	071921009 (2 required)
Assembly Number: With Safety Filter Without Safety Filter	N/A 500235002	500250012 500251012	ECO-III-XL 13S ECO-III-XL 13	ECO-III-XL15S ECO-III-XL15
Primary Filter	500293112	500247012	500454000	500375000
Safety Filter	N/A	500233000	500455000	500443000
Diameter	12.3 in. (31.2 cm)	13.0 in. (33.0 cm)	13.0 in. (33.0 cm)	15.0 in. (38.1 cm)
Width	14.1 in. (35.8 cm)	20.5 in. (52.1 cm)	22.0 in. (55.9 cm)	24.0 in. (61.0 cm)
Air Flow	700 CFM (19.8 m <sup>3</sup> /min)	900 CFM (25.5 m <sup>3</sup> /min)	800 CFM (22.7 m <sup>3</sup> /min)	1,000 CFM (28.3 m <sup>3</sup> /min)
Inlet	5.0 in. (12.7 cm)	7.0 in. (17.8 cm)	6.0 in. (15.2 cm)	7.0 in. (17.8 cm)
Outlet	5.0 in. (12.7 cm)	6.0 in. (15.2 cm)	6.0 in. (15.2 cm)	6.0 in. (15.2 cm)

# Ember Separator/ Moister Separator



Ember protection is extremely important in order to protect fire suppression equipment as well as human life. The Racor Moisture Ember Separator (MES) protects the downstream air filter from embers using a combination of unique flat and crimped metal screens constructed into a galvanized steel frame. This multi layered screen design traps embers and allows them to burn out before passing through the pack, while creating only minimal air flow restriction through the system.

In the event of fire hot embers may burn holes in the air filter, allowing dirt, sand, smoke and other particles to contaminate and shut down the engine, often beyond repair. Even worse, a burning air filter may lead to a major vehicle fire. Also, large amounts of free water in the cylinders can result in broken pistons or bent rods. The Racor Moisture & Ember Separator is specifically designed to help separate hot embers from entering the engine intake. Meets NFPA guidelines.

**Note:** Periodic cleaning or replacement of the screen is all that's required after installation.

## Features:

- Removes embers from air flow.
- One inch thick.
- Can be used as a moisture separator.

Part No.	Width	Height	Area (Sq. In.)
123970001	20.0 in. (50.8 cm)	8.0 in. (20.3 cm)	160
123970002	8.6 in. (21.8 cm)	7.9 in. (20.1 cm)	69
123970003	20.0 in. (50.8 cm)	5.5 in. (14.0 cm)	110
123970004	9.0 in. (22.9 cm)	20.8 in. (52.8 cm)	187
123970005	12.0 in. (30.1 cm)	9.5 in. (24.1 cm)	114
123970006	10.8 in. (27.4 cm)	9.3 in. (23.6 cm)	99.4
123970007	20.8 in. (52.8 cm)	11.3 in. (28.7 cm)	233.4
123970008	15.0 in. (38.1 cm)	4.0 in. (10.2 cm)	60
123970009	7.8 in. (19.8 cm)	7.8 in. (19.8 cm)	60
123970010	5.9 in. (15.0 cm)	20.6 in. (52.3 cm)	121.3
123970011	8.0 in. (20.3 cm)	9.0 in. (22.9 cm)	72
123970012	5.5 in. (14.0 cm)	16.3 in. (41.4 cm)	89.4
123970013	25.0 in. (63.5 cm)	3.5 in. (8.9 cm)	87.5
123970014	3.5 in. (88.9 cm)	12.0 in. (30.5 cm)	42
123970015	15.5 in. (39.4 cm)	8.0 in. (20.3 cm)	124
123970016	8.8 in. (22.4 cm)	23.0 in. (58.4 cm)	201.3
123970017	12.8 in. (32.5 cm)	5.3 in. (13.5 cm)	68
123970018	9.5 in. (24.1 cm)	5.3 in. (13.5 cm)	50.8
123970019	7.0 in. (17.8 cm)	16.0 in. (40.6 cm)	112
123970020	6.8 in. (17.3 cm)	11.9 in. (30.2 cm)	81.8
123970021	17.1 in. (43.4 cm)	11.4 in. (29.0 cm)	194
123970022	16.3 in. (41.4 cm)	5.5 in. (14.0 cm)	89.4
123970023	5.5 in. (14.0 cm)	10.0 in. (25.4 cm)	55
123970024	22.0 in. (55.9 cm)	4.0 in. (10.2 cm)	88
123970025	19.0 in. (48.3 cm)	16.0 in. (40.6 cm)	304
123970026	25.2 in. (64.0 cm)	4.4 in. (11.2 cm)	111.06
123970027	11.1 in. (28.2 cm)	5.31 in. (13.5 cm)	58.73
123970028	11.9 in. (30.2 cm)	3.0 in. (7.6 cm)	35.82

All Racor Ember Separators have a depth of 1".  
\* Optional faceplate can be provided.

# Pamic® Series

## UniPamic® Light & Medium Service Air Cleaners

UniPamic Series Air Cleaners provide unmatched engine protection for a wide range of equipment, from on-highway trucks to compressors, stationary engines to marine engines.

### Greatest Protection

The Pamic filter has an average efficiency rating of 99.9% (SAE J726). It begins at a high level and continues to increase throughout the life of the filter.

### Extended Service Life

The unique construction of the Pamic filter with its exclusive mechanical pleat separation, provides more usable filter area than any competitive air cleaner, thus offering longer filter life. UniPamic models feature an efficient moisture separator panel which removes over 90% of the water that may enter the face of the air cleaner. AutoPamic® models can be upgraded to include a gravity-discharged dust pre-cleaner. RotoPamic® models are upgradeable to either a compressed air or exhaust-aspirated pre-cleaner.

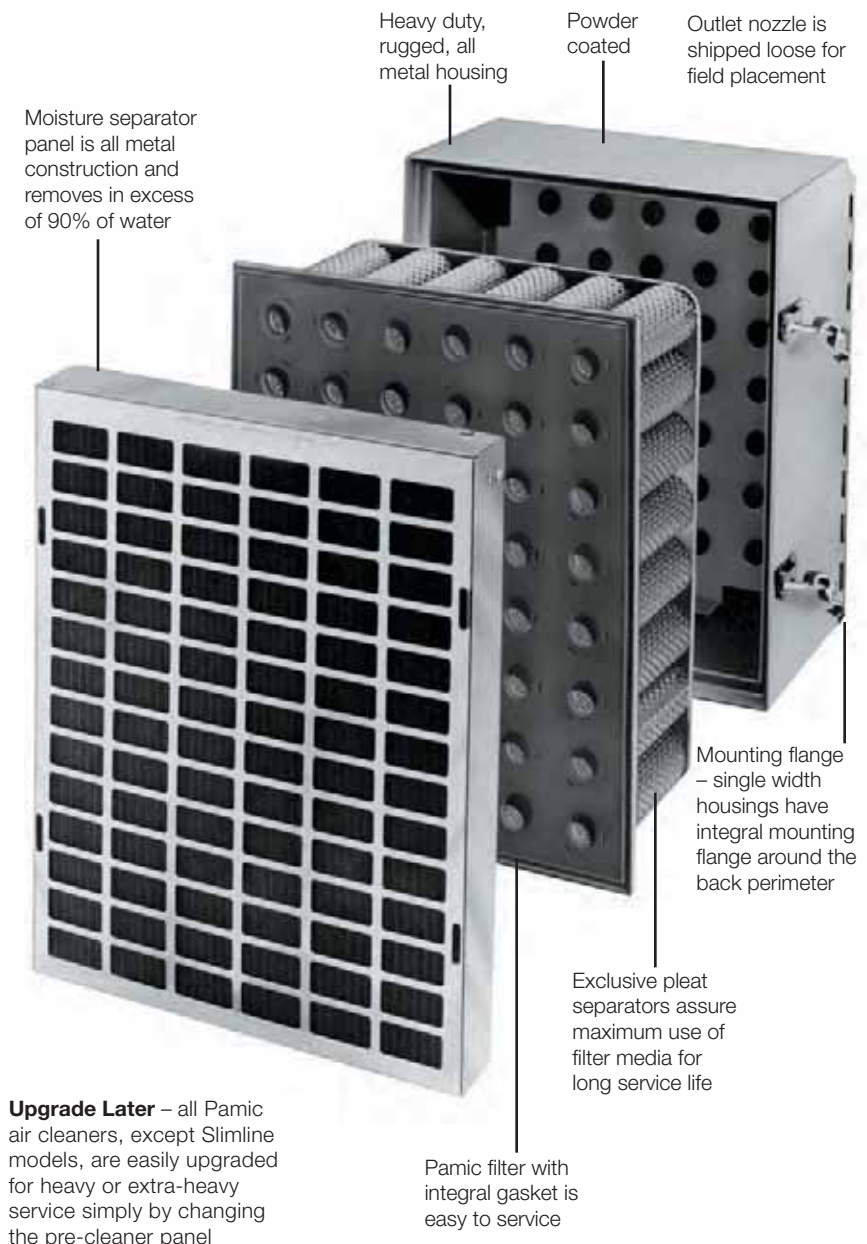
An optional, easy-to-use service indicator tells when to change the filter assuring maximum usage and lowest operating filter costs.

### Increased Horsepower, Reduced Fuel Consumption

With low intake air restriction and greater effective media area than other dry-type air cleaners, the Pamic Series offers improved fuel economy, and that lowers per hour operating costs.

### Easy To Service

No special tools or techniques required, dirt is held inside the pleated filter tubes. The filter is replaced from the dirty side of the air cleaner, reducing the danger of engine contamination.



# UniPamic (Single Stage)

## Basic Unipamic Kits



Part No.			No. of Tubes			Recom- mended Outlet Nozzle O.D. (In.)	Application		Dimensions			
Kit Number*	Moisture Separator	Filter Number	Total	Wide	High		Flow Rate Range (CFM)	Hp Range	Approx. Ship Weight		Height (In.)	Width (In.)
									(lbs)	(Kg)		
062701003	056519010	012233003	9	3	3	3.0	100 - 250	50 - 125	25	11	8.59	8.59
062701004	056519011	012233004	12	3	4	3.0	250 - 300	125 - 150	30	14	8.59	10.91
062701010	056519016	012233007	24	4	6	4.0	350 - 600	175 - 300	44	20	10.91	15.53
062701012	056519002	012233008	32	4	8	5.0	500 - 800	250 - 400	55	25	10.91	20.16
062701013	056519003	012233009	40	5	8	5.0	600 - 1,000	300 - 500	62	28	13.22	20.16
062701014	056519004	012233010	48	6	8	6.0	700 - 1,200	350 - 600	69	31	15.53	20.16
062701015	056519005	012233011	64	8	8	6.0	1,000 - 1,600	500 - 800	79	36	20.16	20.16
059709000	056519003 x2	012233009 x2	80†	8	10	5.5 x2	1,200 - 2,000	600 - 1,000	119	54	27.81	20.16
059711000	056519004 x2	012233010 x2	96†	8	12	6.0 x2	1,400 - 2,400	700 - 1,200	132	60	32.44	20.16
059713000	065619005 x2	012233011 x2	128†	8	16	6.0 x2	2,000 - 3,200	1,000 - 1,600	155	70	41.69	20.16

\* Nozzle or outlet not included. Must be ordered separately.

† Double side-by-side housing. Two air outlet nozzles required. There are no integral flanges on double housing.

All Units are right-hand bleed. Left-hand bleed can be custom ordered.

## Air Inlet/Outlet Sleeves/Nozzles

Part No.	Diameter		Sleeves	Length		Weight		
	in.	cm		in.	cm	lbs	kg	
015382200*	2.0	5.1		4.0	10.2	1.0	0.5	
015382204*	2.3	5.8		4.0	10.2	1.0	0.5	
015382208*	2.5	6.4		4.0	10.2	1.0	0.5	
015382210*	2.6	6.6		4.0	10.2	1.0	0.5	
015382300*	3.0	7.6		4.0	10.2	1.0	0.5	
015382308*	3.5	8.9		4.0	10.2	1.0	0.5	
015382400	4.0	10.2		4.0	10.2	1.5	0.7	
015382408*	4.5	11.4		4.0	10.2	1.5	0.7	
015382500	5.0	12.7		4.0	10.2	1.5	0.7	
015382508	5.5	14.0		4.0	10.2	2.0	0.9	
015382600	6.0	15.2		4.0	10.2	2.0	0.9	
015382700*	7.0	17.8		4.0	10.2	2.0	0.9	
Nozzles								
041199001	3.0	7.6			1.5	3.8	0.7	0.3
041199002*	3.5	8.9			1.5	3.8	0.8	0.4
041199003	4.0	10.2	1.6		4.1	1.0	0.5	
041199004	5.0	12.7	1.9		4.8	1.2	0.5	
041199005	5.5	14.0	2.1		5.3	1.4	0.6	
041199006	6.0	15.2	2.1		5.3	1.6	0.7	
041199007	7.0	17.8	2.1		5.3	2.5	1.1	

\*For special order call Racor.

## Replacement Filters

Part No.	Tubes	Arrangement*
012233001	2	1 x 2
012233002	4	2 x 2
012233012	6	2 x 3
012233003	9	3 X 3
012233004	12	3 X 4
012233014	12	2 X 6
012233005	16	4 X 4
012233018	16	2 X 8
012233017	18	3 X 6
012233006	20	4 X 5
012233007	24	4 X 6
012233019	24	3 X 8
012233015	30	5 X 6
012233008	32	4 X 8
012233020	36	6 X 6
012233009	40	5 X 8
012233010	48	6 X 8
012233011	64	8 X 8

\* Pamic air filters will fit either vertical or horizontal housings.  
\* Four tube model is special order only.  
† Indicates two moisture separator panels and two filters in a single housing.  
\* Airflow capacities beyond maximum recommendations will result in higher resistance and reduced filter life.

**AutoPamic Air Cleaners  
For Medium and Heavy Service**

Medium service includes most on- and off-highway uses such as gravel and ready-mix trucks, outdoor generator sets, garbage trucks, fire trucks, air compressors, and pumps.

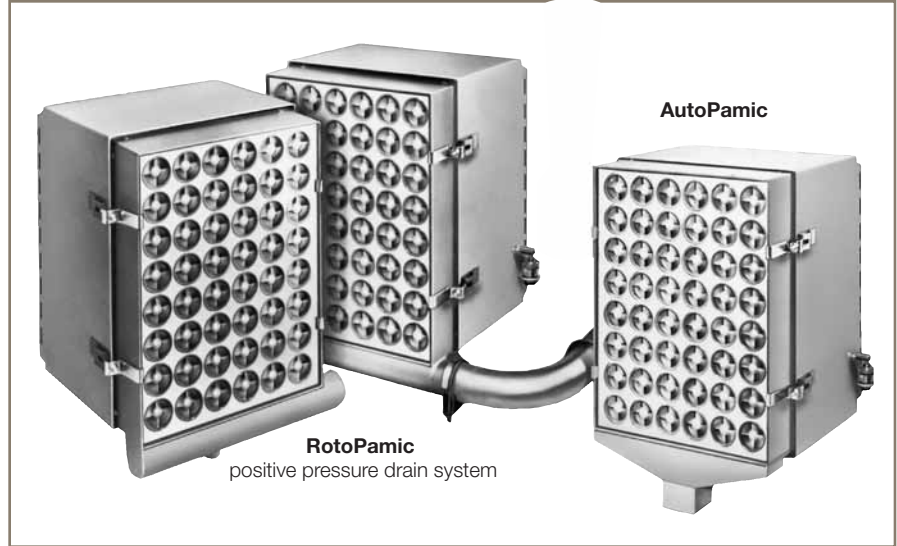
This AutoPamic air cleaner model with a gravity discharge pre-cleaner is the easiest to install. It may be used on all types of engines.

**Note:** While total system efficiency is 99.9%, this pre-cleaner is 86% efficient (per SAE J726).



# AutoPamic

## Two Stage Medium to Extra Heavy Service Air Cleaners



### AutoPamic and RotoPamic Sizing

The chart below shows the number of filter tubes needed to meet engine air flow requirements. Match the CFM of your engine to the type of service the air cleaner will experience. Recommended air cleaner size, for type of service shown, has been calculated for an optimum range of engine intake restriction, dirt-holding capacity, and filter service life.

### Basic AutoPamic Gravity Discharge Kits

Part No.		No. of Tubes			Application			Dimensions			
Kit Number*	Filter Number	Total	Wide	High	Recommended Outlet Nozzle O.D. (In.)	Flow Rate Range (CFM)	HP Range	Approx. Ship Weight		Height (In.)	Width (In.)
								(lbs)	(Kg)		
062705001	012233003	9	3	3	3.0	150 - 200	75 - 100	32	15	8.59	8.59
062705002	012233004	12	3	4	3.0	175 - 250	80 - 125	37	17	8.59	10.91
062705008	012233007	24	4	6	4.0	350 - 450	175 - 225	62	28	10.91	15.53
062705010	012233008	32	4	8	5.0	450 - 650	225 - 325	71	32	10.91	20.16
062705011	012233009	40	5	8	5.0	600 - 800	300 - 400	84	38	13.22	20.16
062705012	012233010	48	6	8	6.0	700 - 950	350 - 475	93	42	15.53	20.16
062705013	012233011	64	8	8	6.0	950 - 1,280	475 - 640	111	50	20.16	20.16
059714000	012233009 x2	80†	8	10	5.5 x2	1,200 - 1,600	600 - 800	160	73	27.81	20.16
059716000	012233010 x2	96†	8	12	6.0 x2	1,400 - 1,900	700 - 950	175	80	32.44	20.16
059718000	012233011 x2	128†	8	16	6.0 x2	1,900 - 2,560	950 - 1,280	217	99	41.69	20.16

\* Nozzle or outlet not included. Must be ordered separately.

† Double side-by-side housing. Two air outlet nozzles required. There are no integral flanges on double housing.

All Units are right-hand bleed. Left-hand bleed can be custom ordered.



# RotoPamic Air Cleaners

## Heavy Service Applications

Heavy service includes off-highway trucks, motor graders, crawler tractors, scrapers, cranes and shovels.

shovels, rock drilling and quarrying compressors, and full-tracked low-speed tractors.

Extra-heavy service includes such equipment as large scrapers, rock drills, rough terrain cranes, and

These pre-cleaners provide maximum service life of the disposable Pamic filter.



### Basic two stage kits include:

- AutoPamic Pre-Cleaner
- RotoPamic Pre-Cleaner
- Pamic Filter
- Air Cleaner Housing
- Service Indicator
- Gravity Discharge

### Positive Pressure

- Pamic Filter
- Air Cleaner Housing
- Service Indicator

**Note:** Outlet nozzle must be ordered separately.

## Positive Pressure Bleed System

Positive pressure bleed systems can be used on all turbocharged engines and two-cycle Detroit Diesel turbocharged or naturally aspirated engines. They can also be used wherever a continuous source of compressed air (4 PSIG or greater) is

available, such as the receiver tank on an air compressor.

**Note:** While total system efficiency is 99.9%, these pre-cleaners are 94% efficient (per SAE J726) for extended filter life.

## Positive Pressure Drain System Plumbing Kit

(To be ordered separately)

Part No.	Application	Components Included*
061999000	All engines (except Detroit Diesel 2-cycle) where connection is taken from side of turbocharger.	Check Valve for pre-cleaner dust pin. Turbocharger hose fitting. Hose clamps.
For special order call Racor.	For Detroit Diesel 2-cycle engines only, where connection is made to air box. Specify engine model & rpm.	Air box fitting. Special air box cover (when required). Hose clamps.

\* Order 3/4" (19.1mm) high-temperature silicone hose separately.

**Note:** For positive pressure plumbing kit for double housings, see your Racor representative.

Part No.		No. of Tubes			Application			Dimensions			
Kit Number*	Filter Number	Total	Wide	High	Recommended Outlet Nozzle O.D. (In.)	Flow Rate Range (CFM)	HP Range	Approx. Ship Weight		Height (In.)	Width (In.)
								(lbs)	(Kg)		
062713003	012233007	24	4	6	4.0	200 - 400	100 - 200	59	27	10.91	15.53
062713007	012233008	32	4	8	5.0	400 - 550	200 - 275	70	32	10.91	20.16
062713009	012233009	40	5	8	5.0	550 - 675	275 - 325	82	37	13.22	20.16
062713011	012233010	48	6	8	6.0	670 - 800	325 - 400	92	42	15.53	20.16
062713013	012233011	64	8	8	6.0	800 - 1000	400 - 500	111	50	20.16	20.16
067872000	012233009 x2	80†	8	10	5.5 x2	1000 - 1300	500 - 650	148	67	27.81	20.16
067874000	012233010 x2	96†	8	12	6.0 x2	1300 - 1600	650 - 800	168	76	32.44	20.16
067876000	012233011 x2	128†	8	16	6.0 x2	1600 - 2200	800 - 1100	209	95	41.69	20.16

\* Nozzle or outlet not included. Must be ordered separately.

† Double side-by-side housing. Two air outlet nozzles required. There are no integral flanges on double housing.

**Note:** All units must be custom ordered. Please call for options and quote.

## Features

### Easy to Install

Available in three sizes, for either horizontal or vertical mounting. The integral mounting flange meets the needs of most "bolt-on" applications. A wide selection of flexible fittings, clamps and couplings to connect the air cleaner to the engine intake is also available.

### Maintenance is Simple

No special skills or tools are required to change the filter. Servicing is quick and clean. The long, effective life of the DynaCell reduces maintenance, a special advantage in remote installations.

### SuperClone Pre-Cleaner

For heavy and extra-heavy duty service, the SuperClone Pre-Cleaner is recommended. SuperClone removes most of the airborne dust prior to it reaching the DynaCell filter, extending the systems useful service life.



### Three models available:

1. Gravity discharge (for heavy service)
2. Exhaust aspirated
3. Positive pressure aspirated

For applications requiring heavy service, exhaust aspirated or positive pressure aspirated versions are recommended.

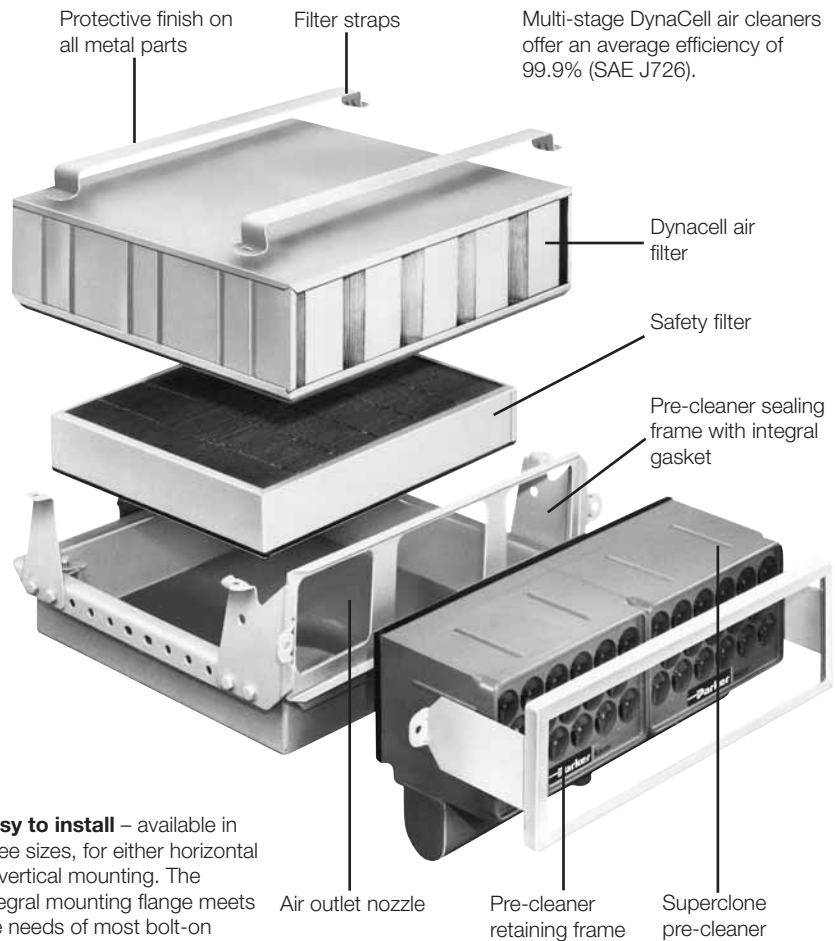
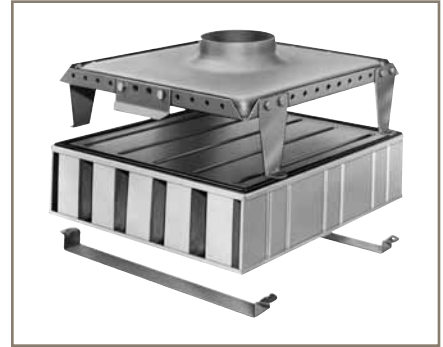
# DynaCell® Series

## Single Stage Air Cleaner

- Designed originally as a low-profile under-hood engine air cleaner for frontal air intake systems on highway trucks, the DynaCell is now used in a variety of applications where a low-profile and high-efficiency are required.

- Applications include off-highway and logging trucks, agricultural tractors and motor graders, construction, and mining equipment. Severe service applications include large scrapers, rock drills, cranes, shovels, and low-speed track-type tractors.

- Your choice of two-stage or three-stage primary DynaCell filters, SuperClone Precleaners, and a third-stage safety filter is also available. The pleated paper safety filter is housed in a deeper plenum pan than the two-stage model and provides the ultimate protection.



**Easy to install** – available in three sizes, for either horizontal or vertical mounting. The integral mounting flange meets the needs of most bolt-on applications. A wide selection of flexible fittings, clamps, and couplings to connect the air cleaner to the engine intake are also available.

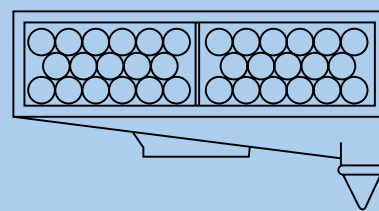
No special tools are required to change the filter. Servicing is quick and clean.

# Positive Pressure Drain Systems



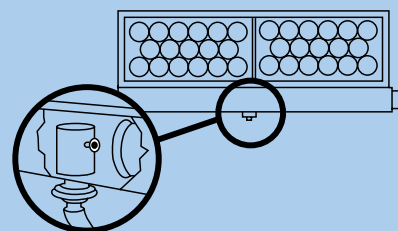
Plumbing Kit for Turbocharged 4-Cycle Engines (Included with Positive Pressure SuperClones)

Part No.	Application	Parts included
061999000 for T-512 & T-519	All engines where connection is taken from pressure side of turbocharger.	Plumbing fittings, clamps and check valve. 3/4" high-temp silicone hose is not included.
062215000 for T-528*		



## Heavy Service Gravity Discharge

The gravity discharge SuperClone is the easiest to install. No additional ducting or pressure lines are required. It removes up to 86% (SAE J726) of the intake air dust load.



## Extra-Heavy Service Positive Pressure Aspirated

The positive pressure SuperClone is designed for the heaviest dirt concentrations. Aspirator uses compressed air from engine air intake manifold, air box, or air compressor receiver tank. Air pressures from 4-100 psig are suitable for aspirator and removes up to 94% (SAE J726) of the dirt entering the air cleaner.

# Dynacell Overview (continued on next page)

Part No.	Type	Orientation	Primary Filter	Safety Filter	Outlet Size (In.)	Max Flow (CFM)	Width (In.)	Height (In.)
<b>Standard Dynacell</b>								
058447000	T-512 Series	Horizontal	049261000	-	5.00	600	11.69	8.10
060039000				060236000		550	11.69	9.48
058447000		Vertical		-		600	8.10	11.69
060039000*				060236000		550	9.48	11.69

\*For special order call Racor.

# Dynacell Overview (continued)

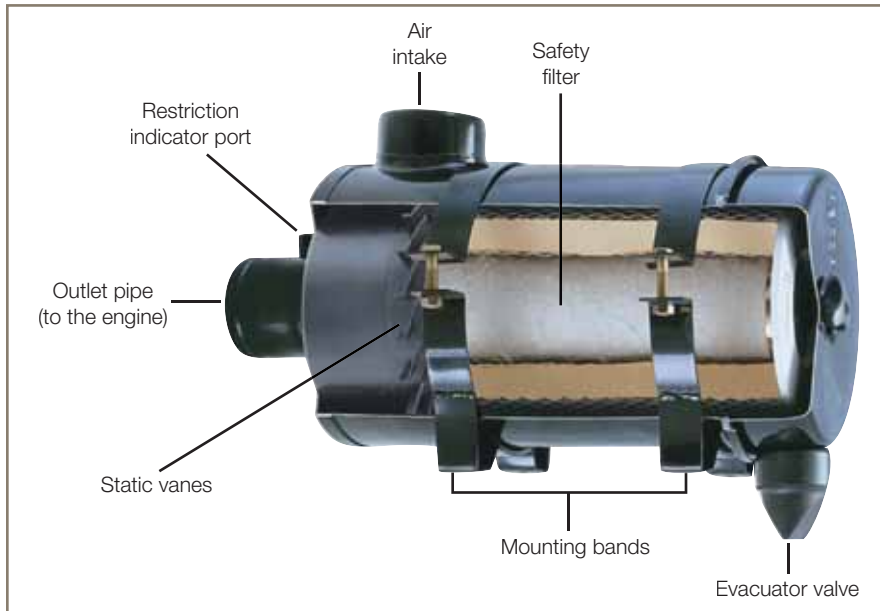
Part No.	Type	Orientation	Primary Filter	Safety Filter	Outlet Size (In.)	Max Flow (CFM)	Width (In.)	Height (In.)	Weight (lbs.)
<b>Standard Dynacell</b>									
060144000	T-519 Series	Horizontal	045800000	-	6.00	1,100	19.19	8.64	
060040000				060237000		1,050	19.19	11.04	
060144000		Vertical		-		1,100	8.64	19.19	
060040000				060237000		1,050	11.04	19.19	
060146000	T-528 Series	Horizontal	051800000	-	7.00	1,600	28.69	8.64	
060147000				060238000		1,500	28.69	11.04	
060146000		Vertical		-		1,600	8.64	28.69	
060147000				060238000		1,500	11.04	28.69	
<b>Gravity Discharge Dynacell</b>									
066386002	T-512 Series	Horizontal	049261000	-	5.00	425	11.69	11.28	
066386003				060236000		425	11.69	11.28	
066401002*		Vertical		-		425	11.28	11.69	
066401003*				060236000		425	11.28	11.69	
066386005	T-519 Series	Horizontal	045800000	-	6.00	850	19.19	11.17	
066386006				060237000		850	19.19	11.17	
066401005		Vertical		-		850	11.17	19.19	
066401006				060237000		850	11.17	19.19	
066386008	T-528 Series	Horizontal	051800000	-	7.00	1,275	28.69	11.17	
066386009				060238000		1,275	28.69	11.17	
066430008		Vertical		060238000		1,275	11.17	28.69	
<b>Positive Pressure Discharge Dynacell</b>									
066417002	T-512 Series	Horizontal	049261000	-	5.00	640	11.69	8.10	
066417003				060236000		640	11.69	9.69	
066430002		Vertical		-		640	8.10	11.69	
066430003				060236000		640	9.48	11.69	
066417005	T-519 Series	Horizontal	045800000	-	6.00	980	19.19	8.64	
066417006				060237000		980	19.19	11.04	
066430005		Vertical		-		980	8.64	19.19	
066430006				060237000		980	11.04	19.19	
066417008	T-528 Series	Horizontal	051800000	-	7.00	1,470	28.69	8.64	
066417009				060238000		1,470	28.69	11.04	
066430009		Vertical		060238000		1,470	11.04	28.69	

\*For special order call Racor.

# AFSF Series

## Heavy-Duty Standard Air Filters

For On-Highway and Stationary Applications



### Applications

Racor Standard Air Filters are designed to be connected to the air intake of the gasoline or diesel engine.

### Applications include:

- Agricultural machinery
- Earth-moving equipment
- Stationary engines and generator sets
- Trucks, buses and recreational vehicles
- Material handling equipment
- Snow removal equipment
- Street sweepers

### How they work

Air flows through static vanes (plastic or metal) which causes the air to spin. Centrifugal force separates the heaviest impurities (dust, dirt, insects and other debris) from the air stream. These contaminants are discharged automatically through an integral evacuator valve. Only purified air flows to the air filters (primary and safety stages of filtration).

Model	Airflow Range	Horsepower Range	Weight (with filters)	Length	Diameter	Inlet Size	Outlet Size	Primary Filter	Safety Filter
<b>AFSF4</b>	53 to 159 cfm (1.5 to 4.5 m <sup>3</sup> /min)	30 to 80 HP (22 to 60 KW)	8.4 lbs (3.8 kg)	15.2 in. (38.6 cm)	6.6 in. (16.8 cm)	2.5 in. (6.4 cm)	2.5 in. (6.4 cm)	AR6060	AS6121
<b>AFSF6</b>	159 to 212 cfm (4.5 to 6.0 m <sup>3</sup> /min)	80 to 90 HP (60 to 67 KW)	10.8 lbs (4.9 kg)	16.7 in. (42.4 cm)	7.8 in. (19.8 cm)	3.0 in. (7.6 cm)	2.8 in. (7.1 cm)	AR6122	AS6123
<b>AFSF8</b>	212 to 282 cfm (6.0 to 8.0 m <sup>3</sup> /min)	90 to 120 HP (67 to 90 KW)	11.7 lbs (5.3 kg)	17.5 in. (44.5 cm)	8.5 in. (21.6 cm)	3.0 in. (7.6 cm)	3.0 in. (7.6 cm)	AR6144	AS6180
<b>AFSF12</b>	282 to 423 cfm (8.0 to 12.0 m <sup>3</sup> /min)	120 to 160 HP (90 to 119 KW)	16.5 lbs (7.5 kg)	18.8 in. (47.8 cm)	10.0 in. (25.4 cm)	4.0 in. (10.2 cm)	4.0 in. (10.2 cm)	AR6067	AS6159
<b>AFSF15</b>	423 to 529 cfm (12.0 to 15.0 m <sup>3</sup> /min)	160 to 180 HP (119 to 134 KW)	21.9 lbs (9.9 kg)	19.3 in. (49.0 cm)	10.5 in. (26.7 cm)	4.0 in. (10.2 cm)	4.0 in. (10.2 cm)	AR234401	AS6182
<b>AFSF18</b>	529 to 635 cfm (15.0 to 18.0 m <sup>3</sup> /min)	180 to 210 HP (134 to 157 KW)	27.6 lbs (12.5 kg)	22.0 in. (55.9 cm)	11.4 in. (29.0 cm)	4.5 in. (11.4 cm)	4.0 in. (10.2 cm)	AR6321	AS6320
<b>AFSF20</b>	635 to 706 cfm (18.0 to 20.0 m <sup>3</sup> /min)	210 to 250 HP (157 to 186 KW)	31.1 lbs (14.1 kg)	21.3 in. (54.1 cm)	12.6 in. (32.0 cm)	5.3 in. (13.5 cm)	5.3 in. (13.5 cm)	AR6277	AS6316
<b>AFSF21</b>	706 to 741 cfm (20.0 to 21.0 m <sup>3</sup> /min)	240 to 280 HP (179 to 209 KW)	33.9 lbs (15.4 kg)	24.1 in. (61.2 cm)	12.6 in. (32.0 cm)	5.3 in. (13.5 cm)	5.1 in. (13.0 cm)	AR246501	AS6220
<b>AFSF310</b>	741 to 988 cfm (21.0 to 28.0 m <sup>3</sup> /min)	280 to 320 HP (209 to 239 KW)	40.0 lbs (18.1 kg)	23.5 in. (59.7 cm)	15.4 in. (39.1 cm)	6.0 in. (15.2 cm)	6.0 in. (15.2 cm)	AR6154	AS6221
<b>AFSF430</b>	988 to 1517 cfm (28.0 to 43.0 m <sup>3</sup> /min)	320 to 450 HP (329 to 336 KW)	78.7 lbs (35.7 kg)	28.9 in. (73.4 cm)	18.0 in. (45.7 cm)	6.0 in. (15.2 cm)	6.0 in. (15.2 cm)	AR6324	AS6323

# AFCS Series

## Heavy-Duty Combination Pre-Cleaners

### Applications

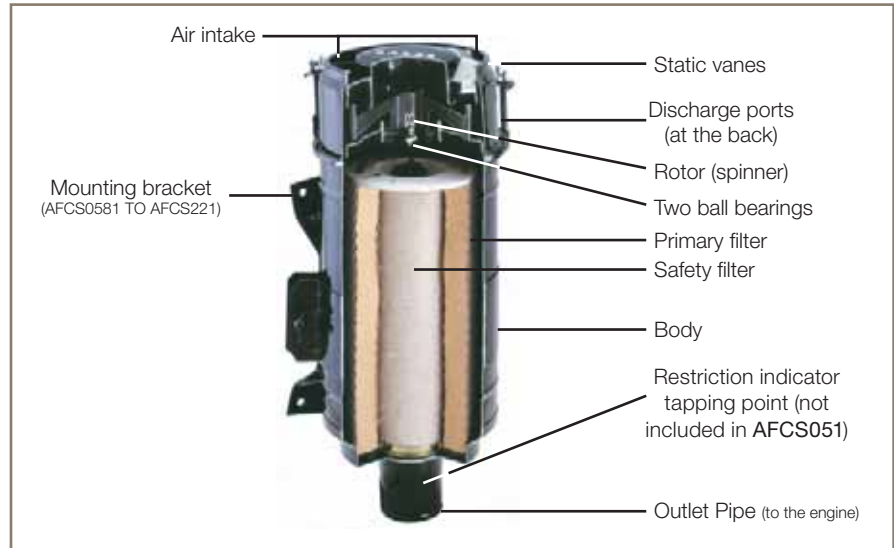
Combination Dynamic Pre-Cleaner/Air Filters are specifically designed to be connected to the air intake of gasoline and diesel engines. The advantages of the systems include their compact size and ease of installation.

### Applications include:

- Agricultural machinery
- Earth moving, construction, and mining equipment
- Stationary engines, generator sets
- Trucks, off-road pick-ups
- Material handling equipment
- Snow removal equipment
- Street sweepers

### Features and Benefits

- Pre-Cleaners remove up to 90% of impurities
- Reduces down time
- Prolongs engine, filter, and turbocharger life
- Saves on fuel costs
- Safety filter is standard in most models



Model	Airflow Range	Horsepower Range	Weight (with filters)	Length	Diameter	Outlet Size	Primary Filter	Safety Filter
AFCS051	53 to 124 cfm (1.5 to 3.5 m <sup>3</sup> /min)	30 to 70 HP (22 to 52 KW)	8.6 lbs (3.9 kg)	15.0 in. (38.1 cm)	7.4 in. (18.8 cm)	2.5 in. (6.4 cm)	AR6322	N/A
AFCS071	124 to 159 cfm (3.5 to 4.5 m <sup>3</sup> /min)	50 to 70 HP (37 to 52 KW)	10.4 lbs (4.7 kg)	19.3 in. (49.0 cm)	7.4 in. (18.8 cm)	2.5 in. (6.4 cm)	AR6060	AS6121
AFCS081	159 to 212 cfm (4.5 to 6.0 m <sup>3</sup> /min)	70 to 80 HP (52 to 60 KW)	12.7 lbs (5.8 kg)	20.5 in. (52.1 cm)	8.0 in. (20.3 cm)	2.8 in. (7.1 cm)	AR6122	AS6123
AFCS121	212 to 282 cfm (6.0 to 8.0 m <sup>3</sup> /min)	80 to 110 HP (60 to 82 KW)	16.5 lbs (7.5 kg)	22.2 in. (56.4 cm)	9.1 in. (23.1 cm)	3.0 in. (7.6 cm)	AR6144	AS6180
AFCS181	282 to 423 cfm (8.0 to 12.0 m <sup>3</sup> /min)	110 to 150 HP (82 to 112 KW)	20.3 lbs (9.2 kg)	24.3 in. (61.7 cm)	10.0 in. (25.4 cm)	4.0 in. (10.2 cm)	AR6067	AS6159
AFCS221	423 to 529 cfm (12.0 to 15.0 m <sup>3</sup> /min)	150 to 180 HP (112 to 135 KW)	24.2 lbs (11.0 kg)	25.5 in. (64.8 cm)	11.3 in. (28.7 cm)	4.0 in. (10.2 cm)	AR234401	AS6182
AFCS251	529 to 706 cfm (15.0 to 20.0 m <sup>3</sup> /min)	180 to 240 HP (135 to 179 KW)	30.0 lbs (13.6 kg)	28.1 in. (71.4 cm)	13.3 in. (33.8 cm)	5.3 in. (13.5 cm)	AR6277	AS6316
AFCS261	706 to 741 cfm (20.0 to 21.0 m <sup>3</sup> /min)	200 to 260 HP (149 to 194 KW)	31.9 lbs (14.5 kg)	30.7 in. (78.0 cm)	13.3 in. (33.8 cm)	5.1 in. (13.0 cm)	AR246501	AS6220
AFCS311	741 to 988 cfm (21.0 to 28.0 m <sup>3</sup> /min)	260 to 320 HP (194 to 239 KW)	36.8 lbs (16.7 kg)	30.6 in. (77.7 cm)	14.5 in. (36.8 cm)	6.0 in. (15.2 cm)	AR6154	AS6221
AFCS351	988 to 1235 cfm (28.0 to 35.0 m <sup>3</sup> /min)	320 to 380 HP (239 to 283 KW)	49.3 lbs (22.4 kg)	30.6 in. (77.7 cm)	16.1 in. (40.9 cm)	6.0 in. (15.2 cm)	AR2201	AS2207
AFCS431	1235 to 1517 cfm (35.0 to 43.0 m <sup>3</sup> /min)	450 HP (336 KW)	65.2 lbs (29.6 kg)	37.3 in. (94.7 cm)	18.4 in. (46.7 cm)	6.0 in. (15.2 cm)	AR6324	AS6323
AFCS021	53 to 88 cfm (1.5 to 2.5 m <sup>3</sup> /min)	50 HP (37 KW)	5.7 lbs (2.6 kg)	13.2 in. (33.5 cm)	6.2 in. (15.7 cm)	1.6 in. (4.1 cm)	E028	
AFCS031	88 to 124 cfm (2.5 to 3.5 m <sup>3</sup> /min)	70 HP (52 KW)	7.3 lbs (3.3 kg)	14.6 in. (37.1 cm)	6.7 in. (17.0 cm)	2.3 (5.8 cm)	AR6322	N/A

# AFAP Series

## Heavy-Duty Off-Highway Air Pre-Cleaners For Agriculture, Construction and Stationary Applications



### How they work

Engine Air Pre-Cleaners are usually installed in place of the rain cap, dust bowl, or aspirated pre-cleaner (exhaust system). In some applications, they can be mounted directly to the air cleaner.

Air enters the system through a pre-screen that removes large debris. It then flows through static vanes causing the air to spin. As the air spins, centrifugal force separates dust, dirt, insects, rain, and snow from the air stream. The swirling air drives a high velocity rotor that acts as a blower evacuating contaminants through special discharge ports at the bottom or in the side of the unit. Only purified air flows to the air filters.

### Applications include:

- Earth moving, construction, and mining equipment
- Pumping plants
- Generator sets
- Snow removal equipment
- Street sweepers

Model	Flow Rate	Horsepower Range	Weight (with filters)	Height	Diameter	Outlet Size
AFAP083	53 to 124 cfm (1.5 to 3.5 m <sup>3</sup> /min)	30 to 60 HP (22 to 45 KW)	3.40 lbs (1.6 kg)	7.7 in. (19.6 cm)	7.4 in. (18.8 cm)	3.0"-2.8"-2.5" (7.6-7.1-6.3 cm)
AFAP414	124 to 247 cfm (3.5 to 7.0 m <sup>3</sup> /min)	60 to 120 HP (45 to 89 KW)	5.80 lbs (2.7 kg)	12.8 in. (32.5 cm)	8.7 in. (22.1 cm)	3.3"-3.0"-2.8"-2.5" (8.4-7.6-7.1-6.3 cm)
AFAP415	124 to 247 cfm (3.5 to 7.0 m <sup>3</sup> /min)	60 to 120 HP (45 to 89 KW)	6.30 lbs (2.9 kg)	13.7 in. (34.8 cm)	8.7 in. (22.1 cm)	4.0"-3.8"-3.5"-3.3" (10.2-9.7-8.9-8.4 cm)
AFAP818	247 to 388 cfm (7.0 to 11.0 m <sup>3</sup> /min)	120 to 160 HP (89 to 119 KW)	7.70 lbs (3.5 kg)	13.5 in. (34.3 cm)	10.8 in. (27.4 cm)	3.3"-3.0"-2.8"-2.5" (8.4-7.6-7.1-6.3 cm)
AFAP819	247 to 388 cfm (7.0 to 11.0 m <sup>3</sup> /min)	120 to 160 HP (89 to 119 KW)	7.80 lbs (3.6 kg)	14.0 in. (35.6 cm)	10.8 in. (27.4 cm)	4.0"-3.8"-3.5"-3.3" (10.2-9.7-8.9-8.4 cm)
AFAP820	247 to 388 cfm (7.0 to 11.0 m <sup>3</sup> /min)	120 to 160 HP (89 to 119 KW)	8.15 lbs (3.7 kg)	13.9 in. (35.3 cm)	10.8 in. (27.1 cm)	4.5"-4.3"-4.0"-3.8" (11.4-10.9-10.2-9.5 cm)
AFAP919	388 to 530 cfm (11.0 to 15.0 m <sup>3</sup> /min)	160 to 220 HP (119 to 164 KW)	9.70 lbs (4.4 kg)	14.0 in. (35.6 cm)	12.4 in. (316 cm)	4.5"-4.3"-4.0"-3.8" (11.4-10.9-10.2-9.5 cm)
AFAP920	388 to 530 cfm (11.0 to 15.0 m <sup>3</sup> /min)	160 to 220 HP (119 to 164 KW)	10.10 lbs (4.6 kg)	14.6 in. (37.1 cm)	12.4 in. (31.5 cm)	5.3"-5.0"-4.8"-4.5" (13.5-12.7-12.2-11.4 cm)
AFAP183	530 to 776 cfm (15.0 to 22.0 m <sup>3</sup> /min)	220 to 300 HP (164 to 225 KW)	12.7 lbs (5.8 kg)	16.1 in. (40.9 cm)	13.9 in. (35.3 cm)	5.3"-5.0"-4.8"-4.5" (13.5-12.7-12.2-11.4 cm)
AFAP184	530 to 776 cfm (15.0 to 22.0 m <sup>3</sup> /min)	220 to 300 HP (165 to 224 KW)	12.8 lbs (5.8 kg)	16.1 in. (40.9 cm)	13.9 in. (35.3 cm)	6.0"-5.5"-5.3"-5.0" (15.2-14.0-13.5-12.7 cm)
AFAP400	776 to 1059 cfm (22.0 to 30.0 m <sup>3</sup> /min)	300 to 400 HP (224 to 298 KW)	16.5 lbs (7.5 kg)	18.1 in. (46.0 cm)	16.7 in. (42.4 cm)	6.0"-5.5"-5.3"-5.0" (15.2-14.0-13.5-12.7 cm)
AFAP401	776 to 1059 cfm (22.0 to 30.0 m <sup>3</sup> /min)	300 to 400 HP (224 to 298 KW)	16.1 lbs (7.3 kg)	18.1 in. (46.0 cm)	16.7 in. (42.4 cm)	7.0"-6.8"-6.5"-6.3" (17.8-17.3-16.5-16.0 cm)
AFAP500	1059 to 1411 cfm (30.0 to 40.0 m <sup>3</sup> /min)	400 to 550 HP (298 to 410 KW)	20.9 lbs (9.5 kg)	18.5 in. (47.0 cm)	18.9 in. (48.0 cm)	7.0"-6.8"-6.5"-6.3" (17.8-17.3-16.5-16.0 cm)

**Applications:**

Racor Engine Air Pre-Cleaners are designed to be mounted on or connected to the air filter intake of a gasoline or diesel engine air cleaner.

**Applications include:**

- All fast-moving mobile equipment such as trucks, buses, and recreational vehicles.

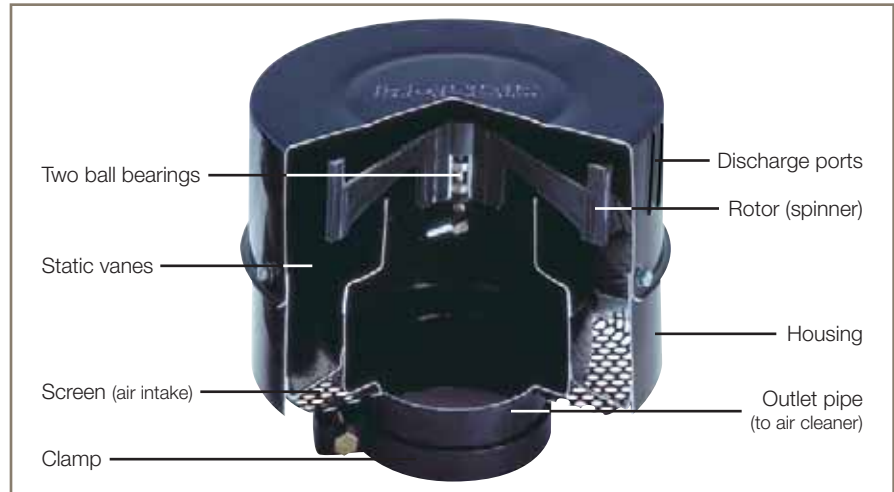
**Features and Benefits**

- Removes up to 80% of impurities from intake air before the air enters the filters.
- The bottom-intake air entry design eliminates the opportunity for water intrusion during high-speed and stationary operation.
- Easy to install. Three plastic outlet reduction sleeves are provided with each assembly.

# AFHP Series

## Heavy-Duty On-Highway Pre-Cleaners

For Mobile Equipment Applications

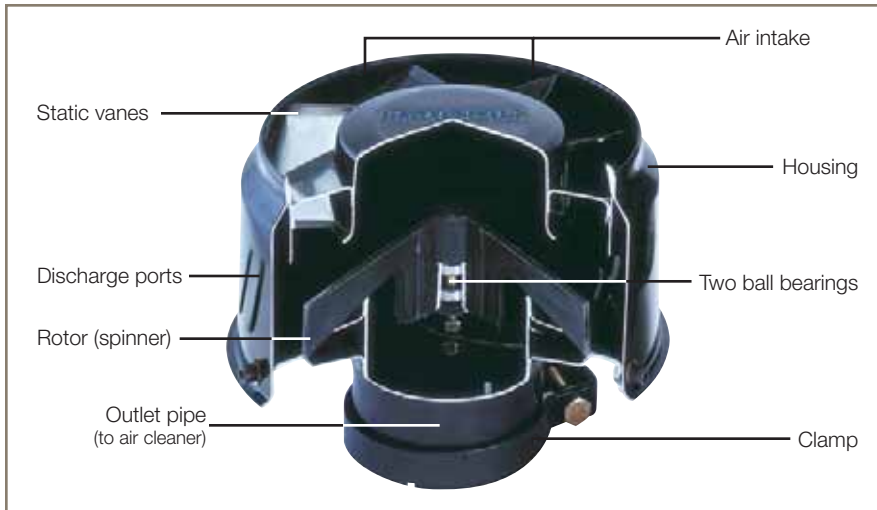


Model	Airflow Range	Horsepower Range	Weight (with filters)	Height	Diameter	Outlet Size	Outlet Reducer Size
AFHP21	53 cfm ( 1.5 m <sup>3</sup> /min)	30 HP (22 KW)	1.3 lbs (0.6 kg)	4.0 in. (10.2 cm)	5.2 in. (3.2 cm)	2.0 in. (5.1 cm)	2.0" (5.1 cm)
AFHP31	53 to 124 cfm (1.5 to 3.5 m <sup>3</sup> /min)	30 to 60 HP (22 to 45 KW)	2.4 lbs (1.1 kg)	6.1 in. (15.5 cm)	7.0 in. (17.8 cm)	3.0 in. (7.6 cm)	2.8"-2.5" (7.1-6.4 cm)
AFHP41	124 to 247 cfm (3.5 to 7.0 m <sup>3</sup> /min)	60 to 120 HP (45 to 89 KW)	3.4 lbs (1.5 kg)	7.0 in. (17.8 cm)	7.8 in. (19.8 cm)	3.0 in. (7.6 cm)	2.5"-2.8" (6.4 -7.1cm)
AFHP42	124 to 247 cfm (3.5 to 7.0 m <sup>3</sup> /min)	60 to 120 HP (45 to 89 KW)	3.5 lbs (1.6 kg)	7.0 in. (17.8 cm)	7.8 in. (19.8 cm)	4.0 in. (10.2 cm)	3.8"-3.5"-3.3" (9.7-8.9-8.4 cm)
AFHP81	247 to 388 cfm (7.0 to 11.0 m <sup>3</sup> /min)	120 to 160 HP (89 to 119 KW)	4.2 lbs (1.9 kg)	7.8 in. (19.8 cm)	9.6 in. (24.4 cm)	3.3 in. (8.4 cm)	3.0"-2.8"-2.5" (7.6-7.1-6.4 cm)
AFHP82	247 to 388 cfm (7.0 to 11.0 m <sup>3</sup> /min)	120 to 160 HP (89 to 119 KW)	4.3 lbs (2.0 kg)	7.8 in. (19.8 cm)	9.6 in. (24.4 cm)	4.0 in. (10.2 cm)	3.8"-3.5"-3.3" (9.7-8.9-8.4 cm)
AFHP83	247 to 388 cfm (7.0 to 11.0 m <sup>3</sup> /min)	120 to 160 HP (89 to 119 KW)	4.4 lbs (2.0 kg)	7.8 in. (19.8 cm)	9.6 in. (24.4 cm)	4.5 in. (11.4 cm)	4.3"-4.0"-3.8" (10.9-10.2-9.7cm)
AFHP91	388 to 530 cfm (11.0 to 15.0 m <sup>3</sup> /min)	160 to 220 HP (119 to 164 KW)	5.2 lbs (2.4 kg)	8.2 in. (20.8 cm)	11.0 in. (27.9 cm)	4.5 in. (11.4 cm)	4.3"-4.0"-3.8" (1.9-10.2-9.7 cm)
AFHP92	388 to 530 cfm (11.0 to 15.0 m <sup>3</sup> /min)	220 to 300 HP (164 to 224 KW)	5.5 lbs (2.5 kg)	8.2 in. (20.8 cm)	11.0 in. (27.9 cm)	5.3 in. (13.5 cm)	5.0"-4.8"-4.5" (12.7-12.2-11.4 cm)
AFHP111	530 to 776 cfm (15.0 to 22.0 m <sup>3</sup> /min)	220 to 300 HP (164 to 224 KW)	6.5 lbs (2.9 kg)	8.4 in. (21.3 cm)	12.2 in. (31.0 cm)	5.3 in. (13.5 cm)	5.0"-4.8"-4.5" (12.7-12.2-11.4 cm)
AFHP112	530 to 776 cfm (15.0 to 22.0 m <sup>3</sup> /min)	220 to 300 HP (164 to 224 KW)	6.6 lbs (3.0 kg)	8.4 in. (21.3 cm)	12.2 in. (31.0 cm)	6.0 in. (15.2 cm)	5.5"-5.3"-5.0" (14.0-13.5-12.7 cm)
AFHP211	776 to 1059 cfm (22.0 to 30.0 m <sup>3</sup> /min)	300 to 400 HP (224 to 298 KW)	8.4 lbs (3.8 kg)	9.1 in. (23.1 cm)	14.1 in. (35.8 cm)	6.0 in. (15.2 cm)	5.5"-5.3"-5.0" (14.0-13.5-12.7 cm)
AFHP212	776 to 1059 cfm (22.0 to 30.0 m <sup>3</sup> /min)	300 to 400 HP (224 to 298 KW)	8.8 lbs (4.0 kg)	9.1 in. (23.1 cm)	14.1 in. (35.8 cm)	7.0 in. (17.8 cm)	6.8"-6.5"-6.3" (17.3-16.5-16.0 cm)
AFHP411	1059 to 1411 cfm (30.0 to 40.0 m <sup>3</sup> /min)	400 to 550 HP (298 to 410 KW)	12.0 lbs (5.4 kg)	10.4 in. (26.4 cm)	17.1 in. (43.4 cm)	7.0 in. (17.8 cm)	6.8"-6.5"-6.3" (17.3-16.5-16.0 cm)
AFHP412	1059 to 1411 cfm (30.0 to 40.0 m <sup>3</sup> /min)	400 to 550 HP (298 to 410 KW)	12.4 lbs (5.6 kg)	10.4 in. (26.4 cm)	17.1 in. (43.4 cm)	8.0 in. (20.3 cm)	8.0" (20.3 cm)



# AFUP Series

On-Highway/Off-Highway Air Pre-Cleaners  
For Under-Hood Applications



## How they work

Racor Under-Hood Engine Air Pre-Cleaners can be remote-mounted or attached directly to the air cleaner eliminating the need for an external air intake.

- **No exterior vehicle modification for intake air.**
- **High air flow, low differential design.**



Model	Airflow Range	Horsepower Range	Weight (with filters)	Height	Diameter	Outlet Size
AFUP006 <sup>1</sup>	53 to 141 cfm (1.5 to 4.0 m <sup>3</sup> /min)	30 to 60 HP (22 to 45 KW)	1.8 lbs (0.8 kg)	4.6 in. (11.7 cm)	5.6 in. (14.2 cm)	2.5" O.D. (6.4 cm)
AFUP007	141 to 176 cfm (4.0 to 5.0 m <sup>3</sup> /min)	60 to 70 HP (45 to 52 KW)	2.9 lbs (1.3 kg)	6.6 in. (15.7 cm)	7.1 in. (18.0 cm)	3.0"-2.8"-2.5" (I.D.) (7.6-7.1-6.4 cm)
AFUP021	176 to 282 cfm (5.0 to 8.0 m <sup>3</sup> /min)	70 to 100 HP (52 to 75 KW)	3.5 lbs (1.6 kg)	5.8 in. (14.7 cm)	7.9 in. (20.1 cm)	3.3"-3.0"-2.8"-2.5" (8.4-7.6-7.1-6.4 cm)
AFUP041	282 to 423 cfm (8.0 to 12.0 m <sup>3</sup> /min)	100 to 140 HP (75 to 104 KW)	4.3 lbs (2.0 kg)	7.1 in. (18.0 cm)	8.9 in. (22.6 cm)	4.0"-3.8"-3.5"-3.3" (10.2-9.7-8.9-8.4 cm)
AFUP061	423 to 635 cfm (12.0 to 18.0 m <sup>3</sup> /min)	140 to 200 HP (104 to 149 KW)	5.0 lbs (2.3 kg)	7.6 in. (19.3 cm)	9.4 in. (23.9 cm)	5.3"-5.0"-4.8"-4.5" (I.D.) (13.5-12.7-12.2-11.4 cm)
AFUP091	635 to 741 cfm (18.0 to 21.0 m <sup>3</sup> /min)	200 to 300 HP (149 to 224 KW)	6.6 lbs (3.0 kg)	8.4 in. (21.3 cm)	11.0 in. (27.9 cm)	5.3"-5.0"-4.8"-4.5" I.D. (13.5-12.7-12.2-11.4 cm)
AFUP131	741 to 988 cfm (21.0 to 28.0 m <sup>3</sup> /min)	300 to 350 HP (224 to 261 KW)	8.7 lbs (3.9 kg)	9.6 in. (24.4 cm)	13.0 in. (33.0 cm)	6.0"-5.5"-5.3"-5.0" I.D. (15.2-14.0-13.5-12.7 cm)

<sup>1</sup>Does not include outlet reducing sleeves or rings.



# EA Series Air Filters

## Replacement Filters

### EA Series Replacement Filters

The most important components of any heavy duty air cleaner are the primary and secondary filter. Without a high quality replacement filter, the air cleaner cannot perform the job it is designed to do. Racor replacement filters for the EA and EAVLR air cleaners are designed and manufactured with the highest quality materials, including high efficiency, high capacity filter media, and reliable, durable urethane end caps.

#### Features:

- **High Efficiency media**
- **Industry standard radial seal design**
- **Urethane encapsulation**
- **High dust holding capacity**



## Product Information and Specifications

Racor introduces a line of replacement air filters for its EA and EAVLR series air cleaners. These primary and safety filters are high efficiency urethane radial seal filters

designed to perform at the highest level to protect your investment. They are also direct replacements for common air cleaner designs from other filter manufacturers.

Part No.		Enginaire		Donaldson		Baldwin		Fleetguard		Luberfiner	
Primary	Safety	Primary	Safety	Primary	Safety	Primary	Safety	Primary	Safety	Primary	Safety
EAPE68300	EASE68340	2s-E1	2s-E2	P822686	P535396	RS3715	RS3930	AF25538	N/A	LAF8388	LAF22056
		68300	68340								
EAPE68310	EASE68350	2-E1	2-E2	P772578	P775298	RS3546	RS3547	AF25539	AF25434	LAF8147	LAF5844
		68310	68350								
EAPE68315	EASE68355	2.5-E1	2.5-E2	P822768	P822769	RS3702	RS3703	AF25436	AF25497	LAF8143	LAF8114
		68315	68355								
EAPE68320	EASE68360	3-E1	3-E2	P772579	P775300	RS3542	RS3543	AF25526	AF25484	LAF8148	LAF9332
		68320	68360								
EAPE68330	EASE68370	3.75-E1	3.75-E2	P772580	P775302	RS3544	RS3545	AF25352	AF25485	LAF4544	LAF4545
		68330	68370								
EAPE68332	EASE68372	4.5-E1	4.5-E2	P777588	P777639	N/A	RS3885	AF25504	AF25491	N/A	LAF5932
		68332	68372								
EAPE68630	EASE68631	6-E1	6-E2	N/A	N/A	N/A	N/A	N/A	N/A	N/A	N/A
		68630	68631								
EAPE68645	EASE68638	7-E1	7-E2	N/A	N/A	N/A	N/A	N/A	N/A	N/A	N/A
		68645	68638								

# EACP Series

## Composite Dynamic Air Precleaners



### EACP Series

Equipment operated in dusty environments require more periodic maintenance and experience more down time. The filter in the air cleaner requires more frequent replacement as the level of dust increases. A plugged filter reduces power, fuel economy, and engine component life. Racor composite dynamic air pre-cleaners dramatically increase the life of the air filter, reduce overall intake system restriction, increase equipment productivity, reduce downtime, and save money.

### Features

- High efficiency
- Light weight
- Durable
- Rust/corrosion resistant
- UV Resistant
- Sealed bearings
- No maintenance
- Limited Lifetime Warranty

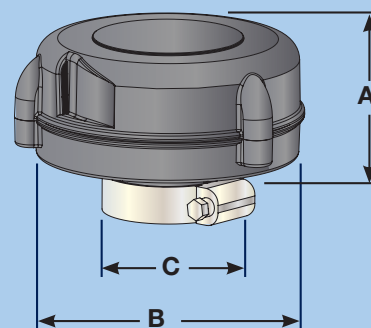
## Product Information and Specifications

Racor composite dynamic air pre-cleaners separate solid dust and debris from the air stream before they reach the main air cleaner. They are installed in place of the rain cap, dust bowl, or aspirated pre-cleaner (exhaust system). In some applications, they can be mounted directly to the air cleaner. Air enters through static vanes at the bottom periphery of the pre-cleaner causing the air to spin and drive a high velocity rotor, which in turn acts as a blower that centrifugally forces dust, dirt, insects, water, and snow through a discharge port. Pre-cleaned air then flows through the outlet to the main air cleaner system.

Racor composite pre-cleaners extend the life of the primary air filter from 5 to over 12 times, greatly increasing the air cleaner service interval, reducing operating cost, and increasing equipment uptime.

Racor Composite Precleaners range in size to fit intakes from 1 1/2" to 6" diameter to handle air flows from 3 to 900 CFM. They have been independently tested and proven superior. Racor Composite Precleaners are constructed with specially formulated materials to withstand heat, cold, vibration, UV Radiation, and impact.

### Dimensions



Part No.	Air Intake ID		Airflow				Dimensions				Weight	
	C		cfm		m <sup>3</sup> /min		in.		cm		lbs	kg
	in.	cm	Min	Max	Min	Max	A	B	A	B		
EACP61508	1.5	3.8	3	20	0.08	0.6	2.3	3.6	5.8	9.1	0.42	0.19
EACP61511	2.0	5.1	20	100	0.57	4.3	3.0	4.8	7.6	12.2	0.55	0.25
EACP61513	3.0	7.6	75	250	2.1	7.1	4.0	6.9	10.1	17.5	1.5	0.68
EACP61515	4.0	10.1	150	465	4.3	13.2	5.3	9.4	13.5	23.9	2.83	1.28
EACP61521	4.5	11.4	250	600	7.1	17.0	7.0	10.8	17.8	27.4	3.7	1.68
EACP61523	5.0	12.7	250	600	7.1	17.0	7.0	10.8	17.8	27.4	3.7	1.68
EACP61519	6.0	15.2	250	600	7.1	17.0	7.0	10.8	17.8	27.4	3.7	1.68
EACP61517	6.0	15.2	350	1100	9.9	31.1	6.6	12.0	16.8	30.5	5.67	2.57

### EAVLR Series

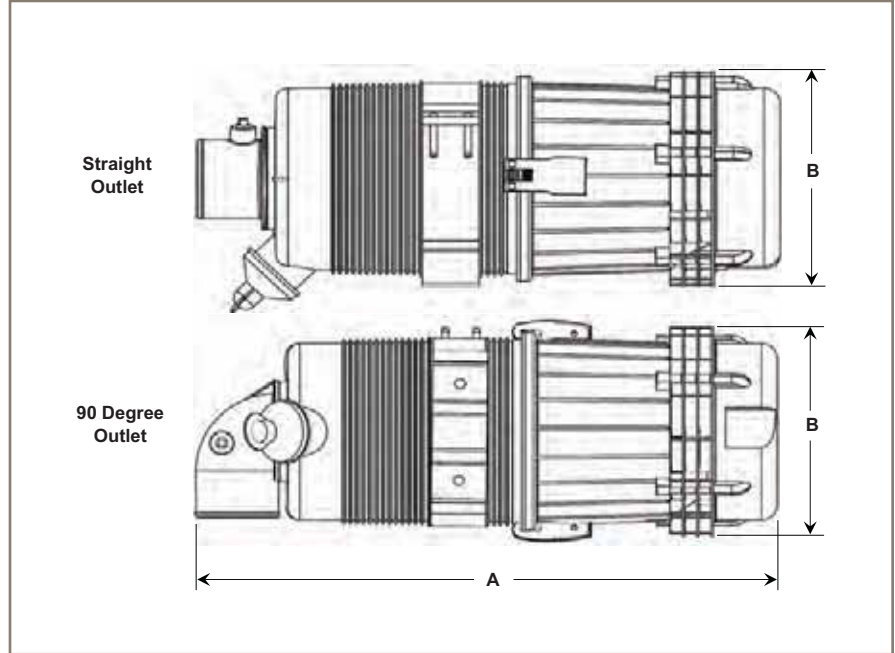
The VLR incorporates a proven dynamic precleaner and additional static precleaning action into a dual filter canister. They are available with straight or 90 degree outlet, a primary filter only, or with primary and safety filter. They can be mounted horizontally or vertically and rotated in any direction, as long as the dust evacuator valve is pointed downward.

#### Features

- High efficiency and dust holding capacity
- Durable high strength polymer composite construction
- Rust and corrosion resistant
- UV resistant
- Industry standard radial seal filter
- Intake flow rates from 50 to 700 cfm

# EAVLR Series

## Composite Very Low Restriction Heavy Duty Air Cleaners



Part No.	Outlet Type	Safety Element	Initial Restriction						Outlet OD		A		B	
			6 in. H <sub>2</sub> O		8 in. H <sub>2</sub> O		10 in. H <sub>2</sub> O		in.	cm	in.	cm	in.	cm
			cfm	m <sup>3</sup> /min	cfm	m <sup>3</sup> /min	cfm	m <sup>3</sup> /min						
EAVLR68193S	Straight	No	85	2.4	102	2.9	119	3.4	1.8	4.6	13.3	33.8	5.4	13.7
EAVLR68193S2	Straight	Yes	66	1.9	78	2.2	88	2.5	1.8	4.6	13.3	33.8	5.4	13.7
EAVLR68193	90°	No	74	2.1	88	2.5	98	2.8	1.8	4.6	12.6	32.0	5.4	13.7
EAVLR68193-2	90°	Yes	58	1.6	68	1.9	88	2.5	1.8	4.6	12.6	32.0	5.4	13.7
EAVLR68194	Straight	No	100	2.8	115	3.3	132	3.7	2.0	5.1	19.8	50.3	6.3	16.0
EAVLR68199S	Straight	Yes	85	2.4	100	2.8	114	3.2	2.0	5.1	19.8	50.3	6.3	16.0
EAVLR68190	90°	No	82	2.3	95	2.7	105	3.0	2.0	5.1	18.5	47.0	6.3	16.0
EAVLR68199	90°	Yes	75	2.1	88	2.5	97	2.7	2.0	5.1	18.5	47.0	6.3	16.0
EAVLR68197S	Straight	No	178	5.0	200	5.7	230	6.5	2.5	6.4	21.0	53.3	6.3	16.0
EAVLR68197S2	Straight	Yes	162	4.6	188	5.3	212	6.0	2.5	6.4	21.0	53.3	6.3	16.0
EAVLR68197	90°	No	145	4.1	170	4.8	188	5.3	2.5	6.4	20.6	52.3	6.3	16.0
EAVLR68197-2	90°	Yes	138	3.9	161	4.6	181	5.1	2.5	6.4	20.6	52.3	6.3	16.0
EAVLR68195S1	Straight	No	182	5.2	214	6.1	238	6.7	3.0	7.6	20.4	51.8	8.2	20.8
EAVLR68195S	Straight	Yes	166	4.7	194	5.5	222	6.3	3.0	7.6	20.4	51.8	8.2	20.8
EAVLR68195-1	90°	No	160	4.5	185	5.2	209	5.9	3.0	7.6	21.0	53.3	8.2	20.8
EAVLR68195	90°	Yes	150	4.2	177	5.0	194	5.5	3.0	7.6	21.0	53.3	8.2	20.8
EAVLR68191	Straight	No	310	8.8	360	10.2	410	11.6	4.0	10.2	17.8	45.2	10.0	25.4
EAVLR68198-1	Straight	No	510	14.4	580	16.4	670	19.0	5.0	12.7	32.0	81.3	14.3	36.3
EAVLR68189-2	Straight	Yes	475	13.5	550	15.6	625	17.7	5.0	12.7	32.0	81.3	14.3	36.3
EAVLR68198	Straight	No	520	14.7	650	18.4	730	20.7	6.0	15.2	32.0	81.3	14.3	36.3
EAVLR68196-3	Straight	Yes	510	14.4	600	17.0	675	19.1	6.0	15.2	32.0	81.3	14.3	36.3

# EAVLR Replacement Filters

Composite Very Low Restriction Heavy Duty Air Cleaners



Part No.	Primary	Safety
EAVLR68193S	EAPE68300	N/A
EAVLR68193S2	EAPE68300	EASE68340
EAVLR68193	EAPE68300	N/A
EAVLR68193-2	EAPE68300	EASE68340
EAVLR68194	EAPE68310	N/A
EAVLR68199S	EAPE68310	EASE68350
EAVLR68190	EAPE68310	N/A
EAVLR68199	EAPE68310	EASE68350
EAVLR68197S	EAPE68320	N/A
EAVLR68197S2	EAPE68320	EASE68360
EAVLR68197	EAPE68320	N/A
EAVLR68197-2	EAPE68320	EASE68360
EAVLR68195S1	EAPE68320	EASE68360
EAVLR68195S	EAPE68320	EASE68360
EAVLR68195-1	EAPE68320	N/A
EAVLR68195	EAPE68320	EASE68360
EAVLR68191	EAPE68191*	N/A
EAVLR68198-1	EAPE68410-1*	N/A
EAVLR68189-2	EAPE68410-1*	EASE68410-2*
EAVLR68198	EAPE68410-1*	N/A
EAVLR68196-3	EAPE68410-1*	EASE68410-2*

\*For special order call Racor.

### EAF Series

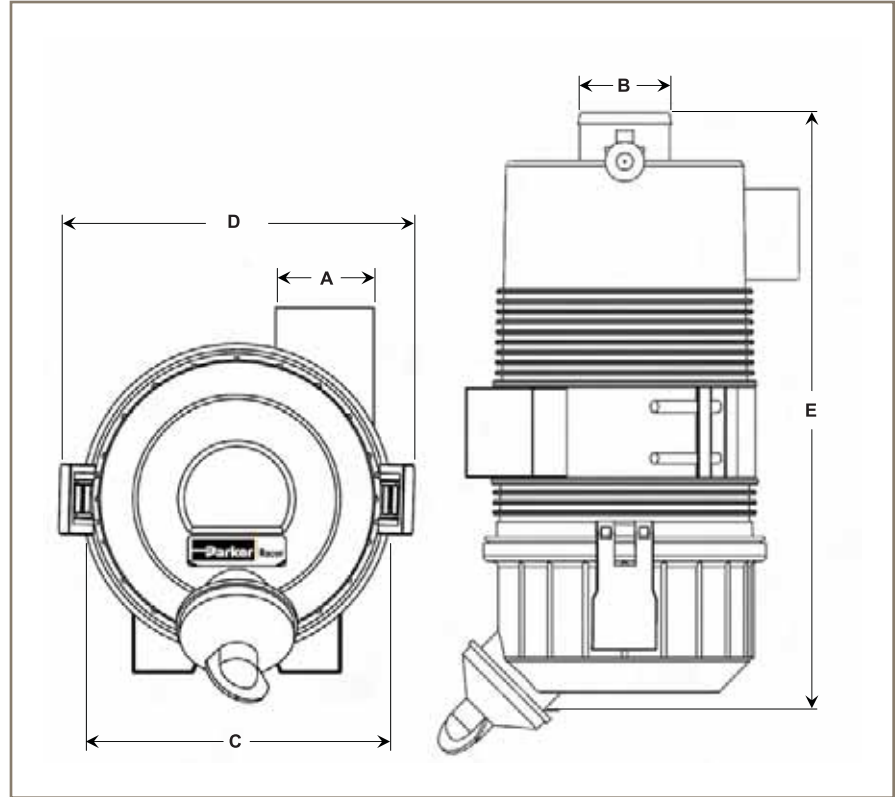
Heavy duty equipment requires heavy duty engine air intake filtration. Heavy duty composite air cleaners are designed and built to meet the requirements for gasoline and diesel powered agricultural, construction, turf care, forestry, and mining equipment. Designed for high dust environments with excessive vibration and extreme temperatures. Composite air cleaners are the economical choice for your heavy duty applications.

#### Features

- High efficiency dust holding capacity
- UV resistant high-strength polymer composite
- Tool-less service
- Working temperature -40°C to 100°C (-40°F to 212°F)
- Industry standard radial seal filter
- Mounted vertically or horizontally
- Spring loaded mounting bracket
- Dual position restriction indicator port mounting

# EAF Series

## Composite Heavy Duty Air Cleaners



Part No.	Safety Element	Flow Rate at Initial Restriction						A		B		C		D		E	
		6 in. H <sub>2</sub> O		8 in. H <sub>2</sub> O		10 in. H <sub>2</sub> O		O.D. Inlet		O.D. Outlet							
		cfm	m <sup>3</sup> /min	cfm	m <sup>3</sup> /min	cfm	m <sup>3</sup> /min	in.	cm	in.	cm	in.	cm	in.	cm	in.	cm
EAF68110	No	75	2.1	90	2.5	105	3.0	2.0	5.1	1.8	4.6	4.8	12.2	6.1	15.5	9.0	22.9
EAF68111	Yes	65	1.8	75	2.1	85	2.4	2.0	5.1	1.8	4.6	4.8	12.2	6.1	15.5	9.0	22.9
EAF68120	No	100	2.8	115	3.3	130	3.7	2.0	5.1	2.0	5.1	5.8	14.7	7.1	18.0	13.4	34.0
EAF68130	Yes	90	2.5	105	3.0	115	3.3	2.0	5.1	2.0	5.1	5.8	14.7	7.1	18.0	13.4	34.0
EAF68132	No	150	4.2	175	5.0	195	5.5	2.5	6.4	2.5	6.4	6.9	17.5	8.2	20.8	14.1	35.8
EAF68133	Yes	145	4.1	165	4.7	185	5.2	2.5	6.4	2.5	6.4	6.9	17.5	8.2	20.8	14.1	35.8
EAF68140	No	160	4.5	190	5.4	210	5.9	3.0	7.6	3.0	7.6	7.2	18.3	8.6	21.8	14.6	37.1
EAF68150	Yes	150	4.2	170	4.8	190	5.4	3.0	7.6	3.0	7.6	7.2	18.3	8.6	21.8	14.6	37.1
EAF68160	No	250	7.1	290	8.2	325	9.2	3.8	9.7	3.5	8.9	8.4	21.3	9.7	24.6	15.6	39.6
EAF68170	Yes	225	6.4	260	7.4	280	7.9	3.8	9.7	3.5	8.9	8.4	21.3	9.7	24.6	15.6	39.6
EAF68175	No	375	10.6	425	12.0	475	13.5	4.5	11.4	4.0	10.2	10.6	26.9	11.9	30.2	19.1	48.5
EAF68175-1	Yes	325	9.2	375	10.6	425	12.0	4.5	11.4	4.0	10.2	10.6	26.9	11.9	30.2	19.1	48.5
EAF68178	No	600	17.0	685	19.4	770	21.8	6.0	15.2	5.0	12.7	12.2	31.0	13.5	34.3	22.0	55.9
EAF68179	Yes	500	14.2	565	16.0	630	17.8	6.0	15.2	5.0	12.7	12.2	31.0	13.5	34.3	22.0	55.9
EAF68182	No	800	22.7	910	25.8	1060	30.0	7.0	17.8	6.0	15.2	15.5	39.4	16.8	42.7	21.5	54.6
EAF68185	Yes	710	20.1	830	23.5	960	27.2	7.0	17.8	6.0	15.2	15.5	39.4	16.8	42.7	21.5	54.6

# EAF Series Air Cleaner

## Replacement Filter Guide



Part No.	Primary	Safety
EAF68110	EAPE68300	N/A
EAF68111	EAPE68300	EASE68340
EAF68120	EAPE68310	N/A
EAF68130	EAPE68310	EASE68350
EAF68132	EAPE68315	N/A
EAF68133	EAPE68315	EASE68355
EAF68140	EAPE68320	N/A
EAF68150	EAPE68320	EASE68360
EAF68160	EAPE68330	N/A
EAF68170	EAPE68330	EASE68370
EAF68175	EAPE68332	N/A
EAF68175-1	EAPE68332	EASE68372
EAF68178	EAPE68630	N/A
EAF68179	EAPE68630	EASE68631
EAF68182	EAPE68645	N/A
EAF68185	EAPE68645	EASE68638

# Marine Air Filter/Silencers

The CCV outlet is connected to the engine's combustion air inlet via an air intake connector where filtered blow-by gas is recycled through the combustion process. Oil collected in the CCV sump is returned to the crankcase through a hose and a drain check valve.

The Racor marine air filter/silencer removes contaminants introduced into the air from both outside and inside the vessel. Sand, salt, carpet fibers and other contaminants are trapped in the oil-impregnated filter media. Turbo noise is reduced by the unique design of the air filter/silencer housing.

- Reduces noise up to 10 db
- Can integrate Racor CCV systems
- Corrosion resistant
- Cleanable air filter
- No tools needed for servicing
- Compact design



## Marine Air Filter Assembly

In order to determine the correct marine air filter application, you will need to know the marine air filter rating (AFR). You will need to provide the hose connection to turbo. Verify that the marine air filter dimensions will fit into your engine room.

4-cycle engines:  $AFR = HP \times 2.0$   
 2-cycle engines:  $AFR = HP \times 2.5$

### Example

- **DDC 12V92TA DDEC (2-cycle – twin turbo):**  
 $826 \text{ hp} \times 2.5 = 1032.5 \text{ AFR}$   
**(1) AF M501012 per turbo**
- $1110 \text{ hp} \times 2.5 = 1387.5 \text{ AFR}$   
**per turbo = AF M601212**
- **CAT 3196 (4-cycle – twin turbo):**  $660 \text{ hp} \times 2.0 = 1320.0 \text{ AFR} = (1) \text{ AF M601212}$

In addition, note the dimensions of the marine air filter outlets and the Racor CCV connector barb outside diameter from the chart in the Marine Air Filter Kit installation Section to ensure the correct installation for your engine. However, the marine air filters typically correspond with the following CCV Models (see chart on right).

**Note:** If AFR is close to maximum capacity of the marine air filter as listed below, use the next size larger.

Marine Air Filter	CCV Model
AF M408512	CCV4500
AF M501012	CCV6000
AF M601212	CCV8000
AF M701212	CCV12000



Specification	AF M408512	AF M501012	AF M601212	AF M701212
<b>Max. Air Flow*</b>	800 cfm / 377.6 lps	1200 cfm / 566.3 lps	1600 cfm / 755.1 lps	2000 cfm / 944 lps
<b>Outlet Diameter</b>	4.0 in. (10.2 cm)	5.0 in. (12.7 cm)	6.0 in. (15.2 cm)	7.0 in. (17.8 cm)
<b>Filter</b>	AF M8040	AF M8050	AF M8060	AF M8070
<b>Length</b>	12.5 in. (31.8 cm)	12.5 in. (31.8 cm)	12.5 in. (31.8 cm)	12.5 in. (31.8 cm)
<b>Depth</b>	9.6 in. (24.4 cm)	11.1 in. (28.2 cm)	13.5 in. (34.3 cm)	13.5 in. (34.3 cm)
<b>Hose Barb Size</b>	1.0 in. (2.5 cm)	1.3 in. (3.3 cm)	1.3 in. (3.3 cm)	1.3 in. (3.3 cm)
<b>Weight</b>	4.2 lbs (1.9 kgs)	5.0 lbs (2.3 kgs)	8.0 lbs (3.6 kgs)	8.0 lbs (3.6 kgs)
<b>CCV Hose Barb</b>	1.0 in. (2.5 cm) O.D.	1.3 in. (3.3 cm) O.D.	1.3 in. (3.3 cm) O.D.	1.0 in. (2.5 cm) 1.3 in. (3.3 cm) O.D.
<b>Operating Temperature</b>	-40°F +240°F / -40°C +116°C			

\*Values given are cubic feet per minute (cfm) and liters per second (l/s).



# Air Filter Replacements



Racor offers direct replacements for the intake air filter operation of competitive air filters/silencers. Also available is the replacement filter for the vacuum limiter air separator.

The filter media for all replacement filters is an oil-impregnated cotton gauze and is sandwiched between pleated, epoxy-coated aluminum wire-mesh polyurethane sealed surfaces. This product is cleanable and must be oiled before using.



## Air Filter Cleaning Kit

To be used for washing and re-oiling Racor cleanable air filters.  
Part Number: **AF M82006**

Part No.	Competitive Part Number	Dimensions (In) (DxHxD)
AF M8145	CD170	10x8x10
AF M8120	CD173	7.5x5x7.5
AF M8121	CD174	7.5x6x7.5
AF M8122	CD175	7.5x7x7.5
AF M8126	CD178	7.5x10x7.5
AF M8010	CD180	3" Air Separator Filter
AF M8146	CD181	10x10x10
AF M8153	CD183	12x12x12
AF M8037	CD184	9x14x6.875
AF M8152	CD186	12x7x12
AF M8026	CD190	7.5x10x5.125
AF M8025	CD195	7.5x8x5.125
AF M8034	CD196	9x9x7
AF M8033	CD197	9x12x6.88
AF M8134	CD200	9x9x9
AF M8133	CD201	9x12x9
AF M8141	CD202	10x6x10
AF M8156	CD204	12x8x12



## Filter Service Indicator



“Filter Minder” Service Indicator is a precision Airflow Restriction Gauge designed to take the guesswork out of air cleaner filter replacement. Its operation is simple and virtually foolproof.

As dirt captured by the filter cartridge gradually builds up, the system pressure drop increases and is indicated by the Filter Minder on an easy-to-read scale.

The indicator locks up at the point of maximum restriction so readings can be taken with or without the engine running. When the desired change-out point is reached, the filter cartridge is easily reset by simply pushing the button at the bottom of the unit.

This indicator works equally well on both gasoline and diesel equipment.

**Economical** – Saving one filter change-out can more than cover the cost of the Service Indicator. It’s a small price for a potentially large gain year after year.

Standard Filter Monitor Part Numbers

Part No.	Range <sup>c</sup>	Description
400033015 <sup>A</sup>	8-15	Direct Mount
400033020 <sup>A</sup>	8-20	Direct Mount
400033025 <sup>A</sup>	8-25	Direct Mount
014440001 <sup>A</sup>	8-25	Direct Mount w/ 90° fitting
072604000 <sup>B</sup>	4-25	Remote Mount
076248001 <sup>A</sup>	8-25	Dash Mount

<sup>A</sup> Unit standard with a 1/8"-27 NPT straight fitting.

<sup>B</sup> Unit standard with a 90° coupling and 10' hose.

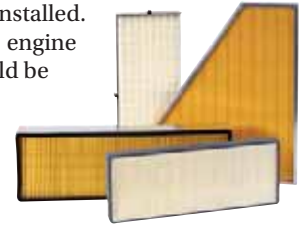
<sup>C</sup> Measurement in inches of water vacuum.

Filter Monitor/Single Latching Position

Part No.	Range (In. water vac.)
500198020	20
500198025	25
Accessories	
Part No.	Description
400034000	90° fitting (Adapts to straight fitting)

# Cabin Air Filters

Presently, 40% of all vehicles in use have a cabin air filter installed. These filters are used to remove dust, pollen, mold spores, engine exhaust and other gases from the cabin air. The filter should be changed out every 15,000 miles. By servicing the filter, the heater and evaporator will be protected from corrosion and the air in the cabin compartment will be more healthy for the occupants.



Ford Applications	
AFC2001	Standard Cabin Air Filter
AFC2000	Cabin Air Filter + Odor Removal
GM/Chevy Applications	
AFC1001	Standard Cabin Air Filter
AFC1000	Cabin Air Filter + Odor Removal

## Low-Resistance Flexible Air Inlet Fitting and Clamps

Rubber elbows, adapters and clamps provide positive sealing, minimal airflow restriction and easy servicing.

Flexible air inlet fittings are made of high-quality EPDM rubber, and provide minimum airflow restriction between the air cleaner and engine air inlet. Their flexibility simplifies both installation and service. Stainless steel adjustable clamps assure a positive seal and ease of service.



## Air Inlet Clamps



# TireSaver

## Nitrogen Tire Inflation Systems



Savings of \$31,250 per year based on a labor rate of \$50 per hour and 250 work days per year, by inflating tires with nitrogen.

Part Number	Description	N2 Flow @ 95% purity, 145 psig, scfm	Maintenance Kit
TS051-00BCB0	Portable w/ Auto Inflator	5.1	MKTS123
TS076-00BCB0	Portable w/ Auto Inflator	7.6	MKTS123
TS123-00BCB0	Portable w/ Auto Inflator	12.3	MKTS123
TS076-0000A0	Tank-mount Unit	7.6	MKTS123
TS123-0000A0	Tank-mount Unit	12.3	MKTS123
TS076-000000	Wall-mount Unit	7.6	MKTS123
TS123-000000	Wall-mount Unit	12.3	MKTS123
TS20F	Cabinet Unit	19.9	MKTS20F*
TS34F	Cabinet Unit	34.0	MKTS34F*
MTS06	Mobile Unit	6.0	MKMTS*
MTS12	Mobile Unit	12.0	MKMTS*

\*For special order call Racor.

## TireSaver Accessories



Separators  
C02-2367 (1/4")  
F602-12EJQ/MY (3/4")



Rubber Hoses  
B04-0400 (12')  
B04-0401 (24')  
B04-0407 (35')



Nitrogen Storage Tank  
TS-30G (30 gal)  
TS-60G (60 gal)  
TS-120G (120 gal)  
TS-240G (240 gal)



Trolley Autoinflator  
TS89TRL-4



Wall Mount Autoinflator  
TS89XDB-G



Digital Nitrogen Analyzer  
TS-02A



Plastic Caps (2000)  
B04-0190



Chrome Caps (500)  
TS-CHVC-B



Replacement Chucks (4)  
B04-0357

### Customer Testimonials

- **Long Haul Fleet Owner**

"I don't have to waste time during routine maintenance topping off tires, just a quick check does it. It's a real time saver." "As a result of filling tires with nitrogen, we save about one half hour per PM for each truck"

- **Auto Transport Fleet Owner**

"With reduced blowouts, I have saved significant costs in fewer damaged custom automobiles and axles, brake systems and tie down rollers on my trucks"

- **Small Auto Transport Fleet**

"We reduced blow outs from 15 per month to just 2 by using nitrogen"

- **Chief of Police**

"Nitrogen eliminated an uneven wear problem we had with our vehicles"

The portability of the Racor TireSaver allows truck owners and maintenance personnel to bring the nitrogen straight to any vehicle in a quick and safe manner. Nitrogen will help to extend tire life by reducing premature failure of tires. The causes of premature tire failure which are affected by oxygen include:

- **Rubber deterioration by oxidation**
- **Rim corrosion**
- **Under-inflation**
- **Overheating**
- **Pressure increase due to heat build up**
- **Uneven wear due to improper inflation**

Tires are one of the primary costs of operating a fleet of vehicles. Tire costs include procurement, maintenance and the cost of blowouts.

DISTRIBUTED BY:



***BOLLAND  
MACHINE***

A DIVISION OF DIESEL ENGINE PARTS WAREHOUSE INC.

**Contact Us for Product Information  
or to Place an Order**

**Phone** 724-846-1290

**Fax** 724-846-5253

**Email** *kevin@bollandmachine.com*

**Address** 2718 Darlington Road  
Beaver Falls, PA 15010

**[www.bollandmachine.com](http://www.bollandmachine.com)**