

Technical Bulletin

Remote-Mount Power Relay Kits



A Racor Relay Kit may be necessary when installing a Racor optional fuel heater due to the high power demand. Standard OEM fuses, wiring, and alternators may be unable to carry the load without overheating or potential shorting, creating a dangerous condition.

Racor Relay Kits provide higher amperage power and protection to the Racor heater using the relay as an independent 'switch'. The relay coil is energized either from a manual toggle switch or other means of activation, such as a thermostat.

Two new configurations replace current relay kits with improved durability and simplified installation. These relay kits work with 2-wire and 3-wire heater connections.

Select the Racor Kit Part Number that meets your application.



Contact Information

Parker Hannifin Corporation
Racor Division
 P.O. Box 3208
 3400 Finch Road
 Modesto, CA 95353

phone **800 344 3286**
209 521 7860
 fax **209 529 3278**
racor@parker.com

www.racorcustomers.com
 www.parker.com/racor



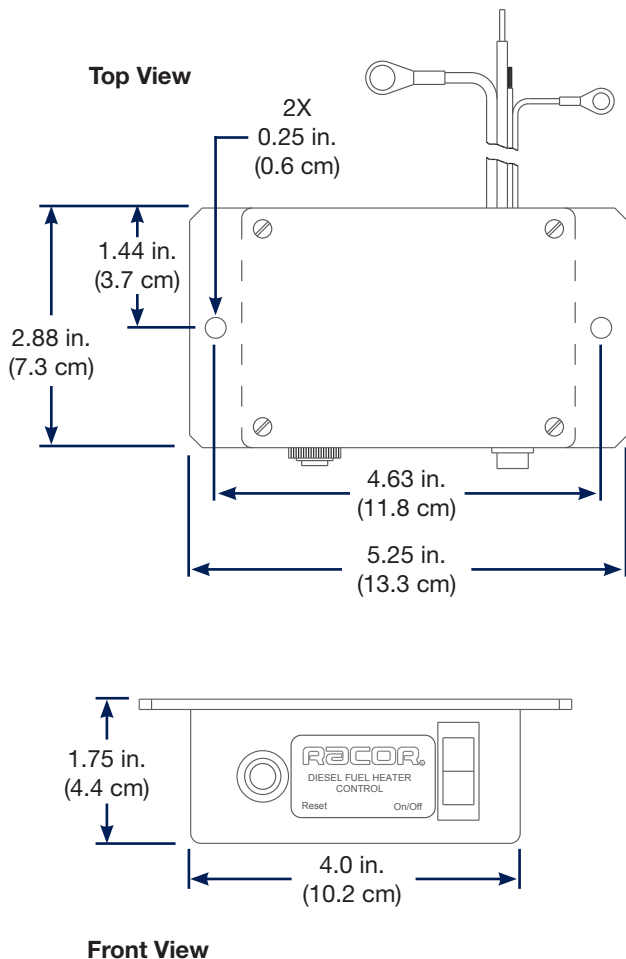
Racor Remote-Mount Power Relay Kits			
Voltage	Max Amp Load	Max Watt Load	Part Number
12	25	300	RK 11861
24	12.5	360	RK 11862
12	60	720	RK 19490-12
24	60	1140	RK 19490-24

These relay kits replace former designs and feature a modular remote mount relay box with a built-in mounting bracket. Easy to follow instructions, schematics, and hardware are included with each kit. The part numbers are a running change with a release date of approximately March 2010.

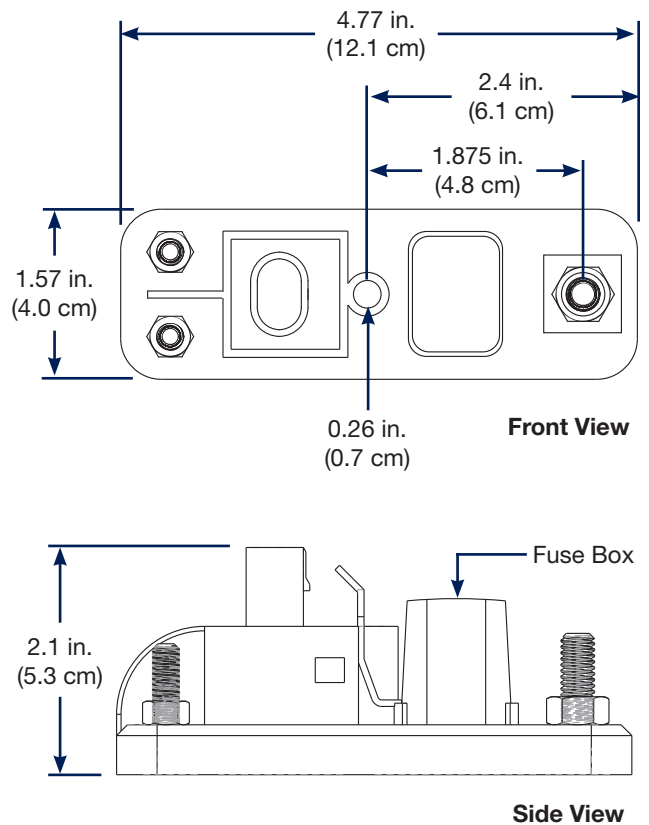
RK 11861 / RK 11862 - The appearance and installation is the same.
 RK 19490-12 / RK 19490-24 - The appearance and installation has changed (see next page).

ENGINEERING YOUR SUCCESS.

RK 19490-xx Current Design



RK 19490-xx New Design (March 2010)



These redesigned units feature a more compact relay unit (used by many OEMs) which may be located almost anywhere on the vehicle/equipment and can handle greater power loads than before. 12 feet of 10 gage wire is supplied along with terminals and shrink tubing. An illuminated (when on) remote rocker switch allows installation in more confined spaces than the previous relay "box".



DISTRIBUTED BY:



***BOLLAND
MACHINE***

A DIVISION OF DIESEL ENGINE PARTS WAREHOUSE INC.

**Contact Us for Product Information
or to Place an Order**

Phone 724-846-1290

Fax 724-846-5253

Email *kevin@bollandmachine.com*

Address 2718 Darlington Road
Beaver Falls, PA 15010

www.bollandmachine.com